

RCA 301

Car Alarm &
Radio Remote Control
with turn signal triggering

Mounting Instructions

Alfa Romeo



■ Warranty

No responsibility is taken for the correctness of the information contained herein. No liability is assumed for errors or misprints.

Due to the high quality of our product, we grant you a 2-year warranty. The function and durability of the central lock control unit depends to a large degree on appropriate mounting. Understandably, we cannot grant any warranty for defects ascribable to wrong or erroneous mounting. In particular, these include charred or burnt components.

Reconsignment of seemingly defective components is categorically at the customer's expense. Trouble shooting is only possible provided that a description of the defect and a copy of the invoice are enclosed. Please note that handling or connecting errors are outside the scope of this warranty. Understandably, we cannot assume liability for defects thus caused.

We grant a 2-year warranty from date of purchase on all components. Warranty includes free of charge trouble shooting of those defects verifiably ascribable to the use of faulty material or to manufacturing errors. All other claims are exempt from liability.

No responsibility or liability is taken for damages or consequential loss relating to this product. Repairation, amendments, supply of spare parts and refunding of purchase price are reserved.

Warranty expires if:

- 1) the device has been altered or if attempts at repairing the device have been made.
- 2) the device has been surcharged.
- 3) damages have come about due to the ignoring of mounting instructions.
- 4) the device has been connected to inadequate current or voltage.
- 5) the appropriate polarity of the device has not been observed.
- 6) the device has been damaged due to maloperation.
- 7) the device has been damaged due to negligent handling.
- 8) the device has been damaged due to by-passed or wrong fuses.

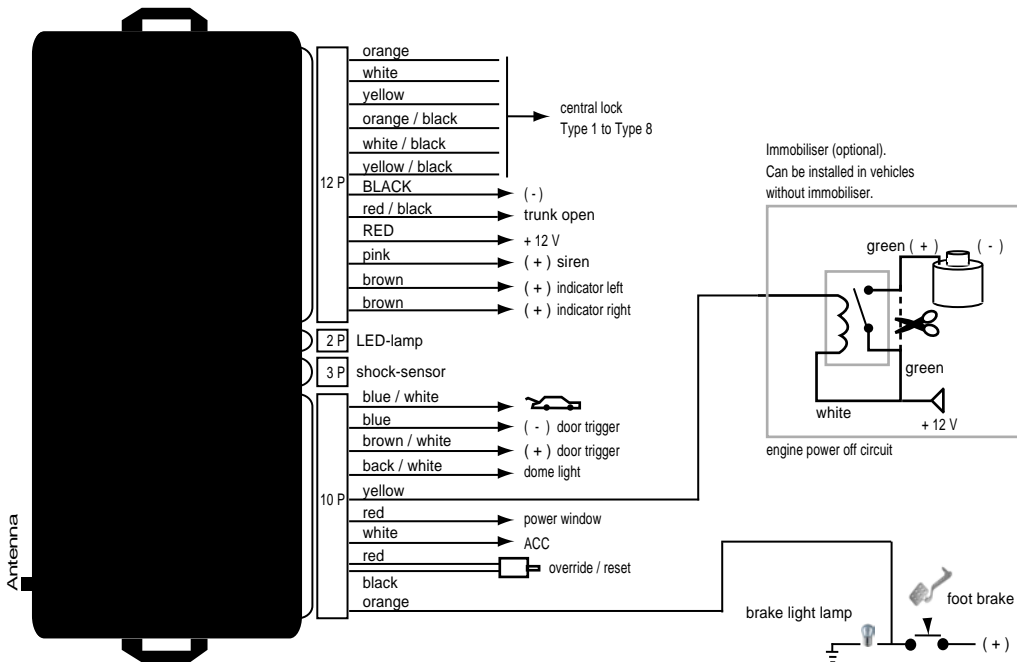
Key alteration:

The blank keys that are screwed into the handheld transmitters only serve as samples (models). You have to have your own car key modified according to this model and screw it onto the transmitter. You may decide for yourself whether you want to use your original car key or have a copy cut in order to have it modified.

Immobilizer:

The immobilizer transponder chip has to be stuck into the handheld transmitter (above the LED).

Receiver



■ Type 1



| ||| GROUND

■ Type 2



||| GROUND

■ not required, please insulate

■ Type 3



[] not required, please insulate

■ Type 4



■ Type 5: (Pin)



■ not required, please insulate

■ Type 6: (with resistance)



||| GROUND

■ not required, please insulate

■ Type 7



||| GROUND

■ not required, please insulate

■ Type 8: (actuator)



||| GROUND

Alfa

Model

145

Year of construction

97->

Code

930

WIRE COLOUR / POSITION

Turn signal left

light blue

Turn signal right

light blue-black

Turn signal position

At the turn signal switch, in the wires left to the rear or also directly at the tail lamps.

Car lock type

Type2

Car lock open

white

Car lock close

light blue

Car lock position

Wiring harness coming from driver's door.

Alfa

Model

146

Year of construction

96->

Code

-

WIRE COLOUR / POSITION

Turn signal left

light blue

Turn signal right

light blue-black

Turn signal position

At the turn signal switch, in the wires left to the rear or also directly at the tail lamps.

Car lock type

Type2

Car lock open

white

Car lock close

light blue or light blue-black

Car lock position

Wiring harness coming from driver's door.

Alfa

Model

155

Year of construction

92->

Code

167

WIRE COLOUR / POSITION

Turn signal left

light blue

Turn signal right

light blue-black

Turn signal position

At the turn signal switch, in the wires left to the rear or also directly at the tail lamps.

Car lock type

Type2

Car lock open

white

Car lock close

light blue

Car lock position

Wiring harness coming from driver's door.

Alfa

Model

156

Year of construction

97->

Code

-

WIRE COLOUR / POSITION

Turn signal left

light blue

Turn signal right

light blue-black

Turn signal position

At the turn signal switch, in the wires left to the rear or also directly at the tail lamps.

Car lock type

Type2

Car lock open

white

Car lock close

light blue

Car lock position

Wiring harness coming from driver's door.

Alfa

Model

164

Year of construction

96->

Code

-

WIRE COLOUR / POSITION

Turn signal left

light blue

Turn signal right

light blue-black

Turn signal position

At the turn signal switch, in the wires left to the rear or also directly at the tail lamps.

Car lock type

Type2

Car lock open

brown

Car lock close

purple

Car lock position

Wiring harness coming from driver's door.

Alfa

Model

164

Year of construction

91->

Code

164

WIRE COLOUR / POSITION

Turn signal left

light blue

Turn signal right

light blue-black

Turn signal position

At the turn signal switch, in the wires left to the rear or also directly at the tail lamps.

Car lock type

Type2

Car lock open

brown-white

Car lock close

purple-white

Car lock position

Wiring harness coming from driver's door.

Alfa

Model

166

Year of construction

96->

Code

-

WIRE COLOUR / POSITION

Turn signal left

light blue

Turn signal right

light blue-black

Turn signal position

At the turn signal switch, in the wires left to the rear or also directly at the tail lamps.

Car lock type

Type2

Car lock open

white-yellow

Car lock close

light blue-yellow

Car lock position

Wiring harness coming from driver's door.

Alfa

Model

33

Year of construction

90->

Code

905

WIRE COLOUR / POSITION

Turn signal left

light blue

Turn signal right

light blue-black

Turn signal position

At the turn signal switch, in the wires left to the rear or also directly at the tail lamps.

Car lock type

Type2

Car lock open

brown

Car lock close

purple

Car lock position

Wiring harness coming from driver's door.

Alfa

Model

75

Year of construction

90->

Code

162b

WIRE COLOUR / POSITION

Turn signal left

light blue

Turn signal right

light blue-black

Turn signal position

At the turn signal switch, in the wires left to the rear or also directly at the tail lamps.

Car lock type

Type2

Car lock open

brown

Car lock close

purple

Car lock position

Wiring harness coming from driver's door.

Alfa

Model

75

Year of construction

88->

Code

162b

WIRE COLOUR / POSITION

Turn signal left

light blue

Turn signal right

light blue-black

Turn signal position

At the turn signal switch, in the wires left to the rear or also directly at the tail lamps.

Car lock type

Type2

Car lock open

brown-white

Car lock close

purple-white

Car lock position

Wiring harness coming from driver's door.

Alfa

Model	Year of construction	Code
GTV/Spider	98->	-

WIRE COLOUR / POSITION

Turn signal left	light blue
Turn signal right	light blue-black
Turn signal position	At the turn signal switch, in the wires left to the rear or also directly at the tail lamps.
Car lock type	Type2
Car lock open	white
Car lock close	light blue
Car lock position	Wiring harness coming from driver's door.

Alfa

Model

Spider

Year of construction

89->

Code

-

WIRE COLOUR / POSITION

Turn signal left

light blue

Turn signal right

light blue-black

Turn signal position

At the turn signal switch, in the wires left to the rear or also directly at the tail lamps.

Car lock type

Type8

Car lock open

-

Car lock close

-

Car lock position

Actuator must be installed in the driver's door.

Alfa

Model

SZ

Year of construction

91->

Code

-

WIRE COLOUR / POSITION

Turn signal left

light blue

Turn signal right

light blue-black

Turn signal position

At the turn signal switch, in the wires left to the rear or also directly at the tail lamps.

Car lock type

Type2

Car lock open

brown-white

Car lock close

red-white

Car lock position

Wiring harness coming from driver's door.