

# RCA 300

Car Alarm &  
Radio Remote Control  
with turn signal triggering



Mounting Instructions

---

## BMW

---

## ■ Warranty

No responsibility is taken for the correctness of the information contained herein. No liability is assumed for errors or misprints.

Due to the high quality of our product, we grant you a 2-year warranty. The function and durability of the central lock control unit depends to a large degree on appropriate mounting. Understandably, we cannot grant any warranty for defects ascribable to wrong or erroneous mounting. In particular, these include charred or burnt components.

Reconsignment of seemingly defective components is categorically at the customer's expense. Trouble shooting is only possible provided that a description of the defect and a copy of the invoice are enclosed. Please note that handling or connecting errors are outside the scope of this warranty. Understandably, we cannot assume liability for defects thus caused.

We grant a 2-year warranty from date of purchase on all components. Warranty includes free of charge trouble shooting of those defects verifiably ascribable to the use of faulty material or to manufacturing errors. All other claims are exempt from liability.

No responsibility or liability is taken for damages or consequential loss relating to this product. Repairation, amendments, supply of spare parts and refunding of purchase price are reserved.

### **Warranty expires if:**

- 1) the device has been altered or if attempts at repairing the device have been made.
- 2) the device has been surcharged.
- 3) damages have come about due to the ignoring of mounting instructions.
- 4) the device has been connected to inadequate current or voltage.
- 5) the appropriate polarity of the device has not been observed.
- 6) the device has been damaged due to maloperation.
- 7) the device has been damaged due to negligent handling.
- 8) the device has been damaged due to by-passed or wrong fuses.

### **Key alteration:**

The blank keys that are screwed into the handheld transmitters only serve as samples (models). You have to have your own car key modified according to this model and screw it onto the transmitter. You may decide for yourself whether you want to use your original car key or have a copy cut in order to have it modified.

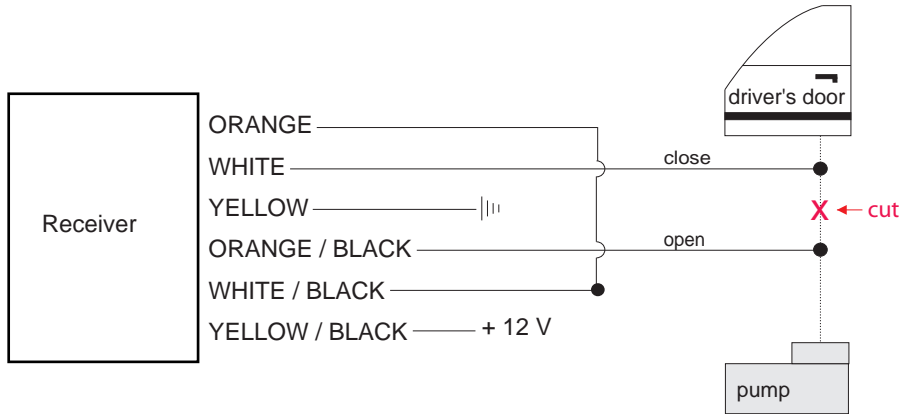
### **Immobilizer:**

The immobilizer transponder chip has to be stuck into the handheld transmitter (above the LED).

## Receiver



## ■ Type 1



| ||| GROUND

## ■ Type 2



||| GROUND

■ not required, please insulate

## ■ Type 3



■ not required, please insulate

## ■ Type 4

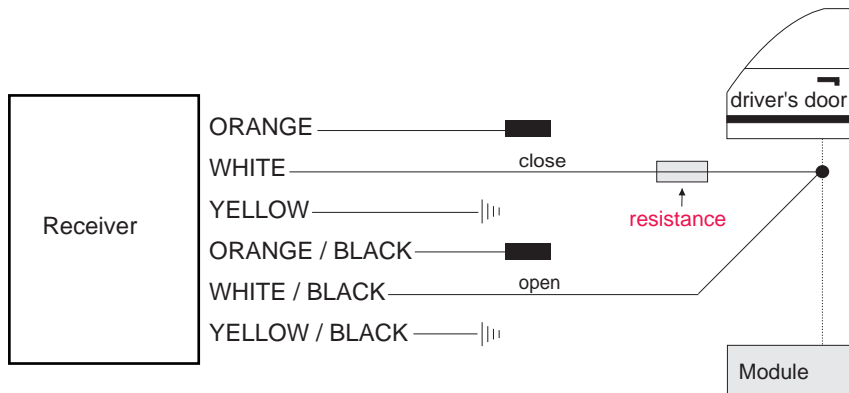


## ■ Type 5: (Pin)



■ not required, please insulate

## ■ Type 6: (with resistance)



||| GROUND

■ not required, please insulate

## ■ Type 7



||| GROUND

■ not required, please insulate

## ■ Type 8: (actuator)



||| GROUND

# BMW

Model	Year of construction	Code
3 series	82-90	E30

## WIRE COLOUR / POSITION

Turn signal left	blue-red
Turn signal right	blue-black
Turn signal position	At the turn signal switch, in the wires left to the rear or also directly at the tail lamps.
Car lock type	Type2
Car lock open	blue-green
Car lock close	red-brown
Car lock position	Wiring harness coming from driver's door.

# BMW

Model	Year of construction	Code
3 series	91->	E36

## WIRE COLOUR / POSITION

Turn signal left	blue-green
Turn signal right	blue-brown
Turn signal position	At the turn signal switch, in the wires left to the rear or also directly at the tail lamps.
Car lock type	Type4
Car lock open	blue-grey (thick cable)
Car lock close	white (thick cable)
Car lock position	Wiring harness coming from driver's door.

# BMW

Model	Year of construction	Code
3 series	98->	E46

## WIRE COLOUR / POSITION

Turn signal left	-
Turn signal right	-
Turn signal position	At the turn signal switch, in the wires left to the rear or also directly at the tail lamps.
Car lock type	Type4
Car lock open	black-white
Car lock close	blue-red
Car lock position	Wiring harness coming from driver's door.

# BMW

Model	Year of construction	Code
5 series	88-95	E34

## WIRE COLOUR / POSITION

Turn signal left	blue-green
Turn signal right	blue-brown
Turn signal position	At the turn signal switch, in the wires left to the rear or also directly at the tail lamps.
Car lock type	Type4
Car lock open	blue-red
Car lock close	blue-brown
Car lock position	Wiring harness coming from driver's door.

# BMW

## Model

5 series

## Year of construction

88-95

## Code

E34

## WIRE COLOUR / POSITION

Turn signal left

blue-green

Turn signal right

blue-brown

Turn signal position

At the turn signal switch, in the wires left to the rear or also directly at the tail lamps.

Car lock type

Type5

Car lock open

pin 16

Car lock close

pin 7

Car lock position

26-pin Plug (yellow) on the GM module under back seat.

# BMW

Model	Year of construction	Code
5 series	95->	E39

## WIRE COLOUR / POSITION

Turn signal left	blue-green
Turn signal right	blue-brown
Turn signal position	At the turn signal switch, in the wires left to the rear or also directly at the tail lamps.
Car lock type	Type3
Car lock open	brown-blue
Car lock close	brown-yellow
Car lock position	In the trunk on wiring harness coming from rear flap.

# BMW

Model	Year of construction	Code
5 series	97->	E39

## WIRE COLOUR / POSITION

Turn signal left	blue-green
Turn signal right	blue-brown
Turn signal position	At the turn signal switch, in the wires left to the rear or also directly at the tail lamps.
Car lock type	Type4
Car lock open	white-black
Car lock close	blue-red
Car lock position	Wiring harness coming from driver's door.

# BMW

## Model

5 series

## Year of construction

88-96

## Code

E34

## WIRE COLOUR / POSITION

Turn signal left

blue-green

Turn signal right

blue-brown

Turn signal position

At the turn signal switch, in the wires left to the rear or also directly at the tail lamps.

Car lock type

Type5

Car lock open

pin 25

Car lock close

pin 24

Car lock position

26-pin plug (white) on the central module. Possibly the pins are not occupied. Occupy please.

# BMW

Model	Year of construction	Code
7 series	86-94	E32

## WIRE COLOUR / POSITION

Turn signal left	blue-black
Turn signal right	blue-green
Turn signal position	At the turn signal switch, in the wires left to the rear or also directly at the tail lamps.
Car lock type	Type5
Car lock open	brown-blue-yellow
Car lock close	white-green
Car lock position	Wiring harness coming from driver's door.

# BMW

Model	Year of construction	Code
8 series	90->	E31

## WIRE COLOUR / POSITION

Turn signal left	blue-green
Turn signal right	blue-brown
Turn signal position	At the turn signal switch, in the wires left to the rear or also directly at the tail lamps.
Car lock type	Type4
Car lock open	blue-red
Car lock close	blue-yellow
Car lock position	26-pin plug (white) on the central module in the left floor room.

# BMW

Model	Year of construction	Code
Z3	96->	E36/7

## WIRE COLOUR / POSITION

Turn signal left	blue-green
Turn signal right	blue-brown
Turn signal position	At the turn signal switch, in the wires left to the rear or also directly at the tail lamps.
Car lock type	Type4
Car lock open	blue-grey
Car lock close	white
Car lock position	Wiring harness coming from driver's door.

# BMW

Model	Year of construction	Code
Z3	98->	E36

## WIRE COLOUR / POSITION

Turn signal left	blue-brown
Turn signal right	blue-green
Turn signal position	At the turn signal switch, in the wires left to the rear or also directly at the tail lamps.
Car lock type	Type4
Car lock open	blue-red
Car lock close	white-red
Car lock position	Wiring harness coming from driver's door.