

RC 100

Radio Remote Control
with turn signal triggering

Mounting Instructions

Citroen



■ Warranty

No responsibility is taken for the correctness of the information contained herein. No liability is assumed for errors or misprints.

Due to the high quality of our product, we grant you a 2-year warranty. The function and durability of the central lock control unit depends to a large degree on appropriate mounting. Understandably, we cannot grant any warranty for defects ascribable to wrong or erroneous mounting. In particular, these include charred or burnt components.

Reconsignment of seemingly defective components is categorically at the customer's expense. Trouble shooting is only possible provided that a description of the defect and a copy of the invoice are enclosed. Please note that handling or connecting errors are outside the scope of this warranty. Understandably, we cannot assume liability for defects thus caused.

We grant a 2-year warranty from date of purchase on all components. Warranty includes free of charge trouble shooting of those defects verifiably ascribable to the use of faulty material or to manufacturing errors. All other claims are exempt from liability.

No responsibility or liability is taken for damages or consequential loss relating to this product. Repairation, amendments, supply of spare parts and refunding of purchase price are reserved.

Warranty expires if:

- 1) the device has been altered or if attempts at repairing the device have been made.
- 2) the device has been surcharged.
- 3) damages have come about due to the ignoring of mounting instructions.
- 4) the device has been connected to inadequate current or voltage.
- 5) the appropriate polarity of the device has not been observed.
- 6) the device has been damaged due to maloperation.
- 7) the device has been damaged due to negligent handling.
- 8) the device has been damaged due to by-passed or wrong fuses.

Key alteration:

The blank keys that are screwed into the handheld transmitters only serve as samples (models). You have to have your own car key modified according to this model and screw it onto the transmitter. You may decide for yourself whether you want to use your original car key or have a copy cut in order to have it modified.

Immobilizer:

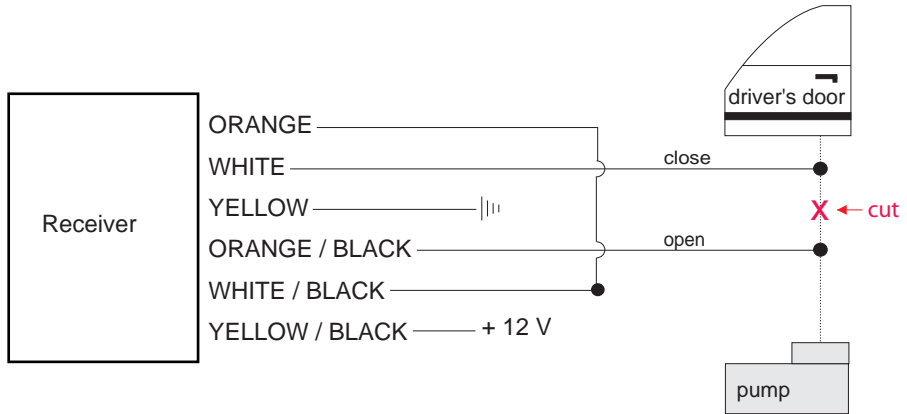
The immobilizer transponder chip has to be stuck into the handheld transmitter (above the LED).

Receiver



X = not required, please insulate

■ Type 1



||| GROUND

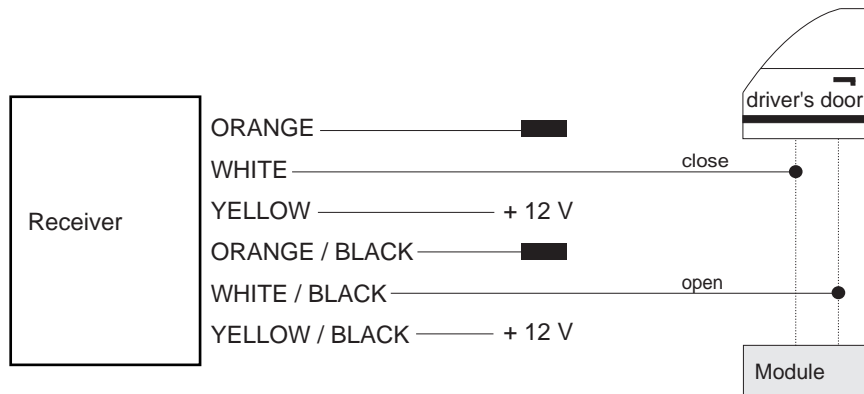
■ Type 2



||| GROUND

■ not required, please insulate

■ Type 3



■ not required, please insulate

■ Type 4



■ Type 5: (Pin)



■ not required, please insulate

■ Type 6: (with resistance)



||| GROUND

■ not required, please insulate

■ Type 7



||| GROUND

■ not required, please insulate

■ Type 8: (actuator)



||| GROUND

Citroen

Model

AX

Year of construction

94->

Code

-

WIRE COLOUR / POSITION

Turn signal left

green-blue

Turn signal right

green-grey

Turn signal position

At the turn signal switch, in the wires left to the rear or also directly at the tail lamps.

Car lock type

Type2

Car lock open

orange

Car lock close

blue

Car lock position

Wiring harness coming from driver's door.

Citroen

Model	Year of construction	Code
Berlingo	98->	-

WIRE COLOUR / POSITION

Turn signal left	green
Turn signal right	green
Turn signal position	At the turn signal switch, in the wires left to the rear or also directly at the tail lamps.
Car lock type	Type2
Car lock open	green
Car lock close	green
Car lock position	Wiring harness coming from driver's door.

Citroen

Model

BX

Year of construction

88->

Code

-

WIRE COLOUR / POSITION

Turn signal left

green

Turn signal right

green-white

Turn signal position

At the turn signal switch, in the wires left to the rear or also directly at the tail lamps.

Car lock type

Type2

Car lock open

grey

Car lock close

yellow

Car lock position

Wiring harness coming from driver's door.

Citroen

Model	Year of construction	Code
CX	93->	-

WIRE COLOUR / POSITION

Turn signal left	green
Turn signal right	green-red
Turn signal position	At the turn signal switch, in the wires left to the rear or also directly at the tail lamps.
Car lock type	Type2
Car lock open	orange-green
Car lock close	blue-green
Car lock position	Wiring harness coming from driver's door.

Citroen

Model

Evasion

Year of construction

98->

Code

-

WIRE COLOUR / POSITION

Turn signal left

green 2335

Turn signal right

green 2345

Turn signal position

At the turn signal switch, in the wires left to the rear or also directly at the tail lamps.

Car lock type

Type2

Car lock open

orange 6290

Car lock close

orange 6291

Car lock position

Wiring harness coming from driver's door.

Citroen

Model	Year of construction	Code
Evasion TD	96->	-

WIRE COLOUR / POSITION

Turn signal left	green 2333
Turn signal right	green 2347
Turn signal position	At the turn signal switch, in the wires left to the rear or also directly at the tail lamps.
Car lock type	Type2
Car lock open	orange 4301
Car lock close	orange 5291
Car lock position	Wiring harness coming from driver's door.

Citroen

Model	Year of construction	Code
Saxo	96->	-

WIRE COLOUR / POSITION

Turn signal left	yellow
Turn signal right	green
Turn signal position	At the turn signal switch, in the wires left to the rear or also directly at the tail lamps.
Car lock type	Type2
Car lock open	grey
Car lock close	blue
Car lock position	Wiring harness coming from driver's door.

Citroen

Model	Year of construction	Code
Xantia	96->	-

WIRE COLOUR / POSITION

Turn signal left	white 233
Turn signal right	white 234
Turn signal position	At the turn signal switch, in the wires left to the rear or also directly at the tail lamps.
Car lock type	Type2
Car lock open	brown 627
Car lock close	green 628
Car lock position	Wiring harness coming from driver's door.

Citroen

Model	Year of construction	Code
XM	94->	-

WIRE COLOUR / POSITION

Turn signal left	grey-blue
Turn signal right	grey-white
Turn signal position	At the turn signal switch, in the wires left to the rear or also directly at the tail lamps.
Car lock type	Type2
Car lock open	green
Car lock close	green
Car lock position	Wiring harness coming from driver's door.

Citroen

Model	Year of construction	Code
Xsara	98->	-

WIRE COLOUR / POSITION

Turn signal left	beige
Turn signal right	pink
Turn signal position	At the turn signal switch, in the wires left to the rear or also directly at the tail lamps.
Car lock type	Type2
Car lock open	grey 6293 or light blue
Car lock close	grey
Car lock position	Wiring harness coming from driver's door.

Citroen

Model	Year of construction	Code
ZX	96->	-

WIRE COLOUR / POSITION

Turn signal left	green
Turn signal right	green-red
Turn signal position	At the turn signal switch, in the wires left to the rear or also directly at the tail lamps.
Car lock type	Type2
Car lock open	orange
Car lock close	orange
Car lock position	Wiring harness coming from driver's door.