

RCA 101

Car Alarm &
Radio Remote Control
with turn signal triggering

Mounting Instructions

Ford



■ Warranty

No responsibility is taken for the correctness of the information contained herein. No liability is assumed for errors or misprints.

Due to the high quality of our product, we grant you a 2-year warranty. The function and durability of the central lock control unit depends to a large degree on appropriate mounting. Understandably, we cannot grant any warranty for defects ascribable to wrong or erroneous mounting. In particular, these include charred or burnt components.

Reconsignment of seemingly defective components is categorically at the customer's expense. Trouble shooting is only possible provided that a description of the defect and a copy of the invoice are enclosed. Please note that handling or connecting errors are outside the scope of this warranty. Understandably, we cannot assume liability for defects thus caused.

We grant a 2-year warranty from date of purchase on all components. Warranty includes free of charge trouble shooting of those defects verifiably ascribable to the use of faulty material or to manufacturing errors. All other claims are exempt from liability.

No responsibility or liability is taken for damages or consequential loss relating to this product. Repairation, amendments, supply of spare parts and refunding of purchase price are reserved.

Warranty expires if:

- 1) the device has been altered or if attempts at repairing the device have been made.
- 2) the device has been surcharged.
- 3) damages have come about due to the ignoring of mounting instructions.
- 4) the device has been connected to inadequate current or voltage.
- 5) the appropriate polarity of the device has not been observed.
- 6) the device has been damaged due to maloperation.
- 7) the device has been damaged due to negligent handling.
- 8) the device has been damaged due to by-passed or wrong fuses.

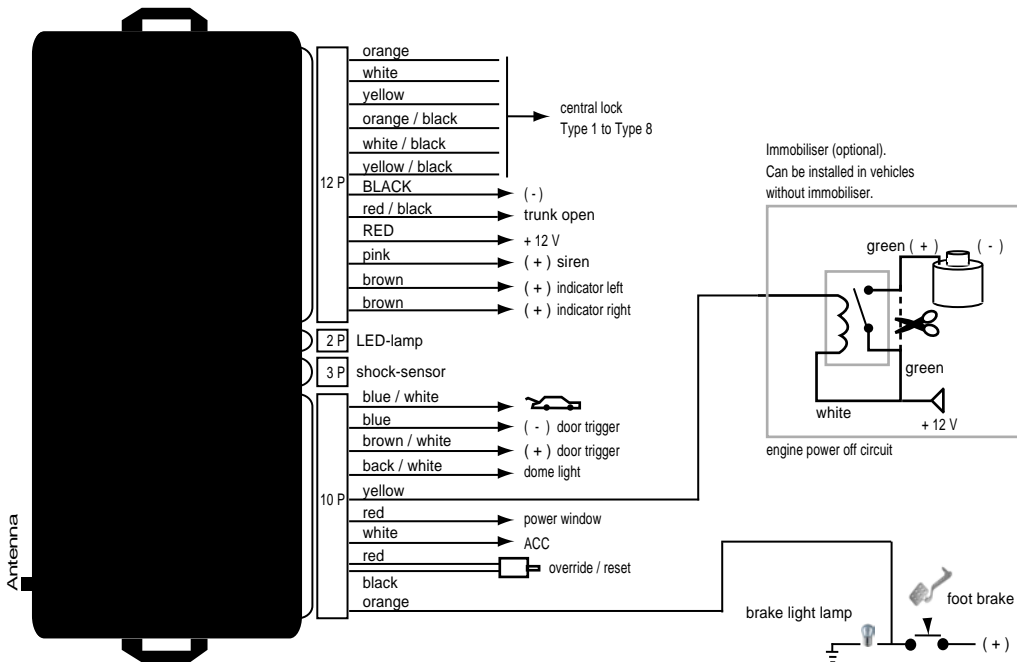
Key alteration:

The blank keys that are screwed into the handheld transmitters only serve as samples (models). You have to have your own car key modified according to this model and screw it onto the transmitter. You may decide for yourself whether you want to use your original car key or have a copy cut in order to have it modified.

Immobilizer:

The immobilizer transponder chip has to be stuck into the handheld transmitter (above the LED).

Receiver

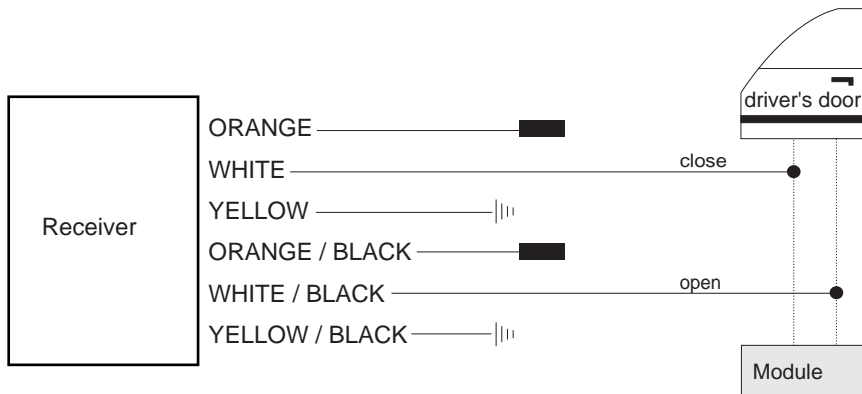


■ Type 1



||| GROUND

■ Type 2



||| GROUND

■ not required, please insulate

■ Type 3

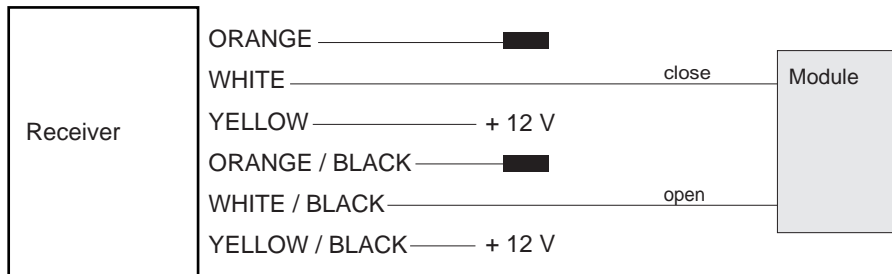


[] not required, please insulate

■ Type 4



■ Type 5: (Pin)



■ not required, please insulate

■ Type 6: (with resistance)



||| GROUND

■ not required, please insulate

■ Type 7



||| GROUND

■ not required, please insulate

■ Type 8: (actuator)



||| GROUND

Ford

Model

Escort

Year of construction

92->

Code

GAL

WIRE COLOUR / POSITION

Turn signal left

white-black

Turn signal right

green-black

Turn signal position

At the turn signal switch, in the wires left to the rear or also directly at the tail lamps.

Car lock type

Type3

Car lock open

white

Car lock close

yellow

Car lock position

Wiring harness coming from driver's door.

Ford

Model

Escort

Year of construction

96->

Code

GAL

WIRE COLOUR / POSITION

Turn signal left

blue-red

Turn signal right

blue-white

Turn signal position

At the turn signal switch, in the wires left to the rear or also directly at the tail lamps.

Car lock type

Type3

Car lock open

white-purple

Car lock close

yellow-black

Car lock position

Wiring harness coming from driver's door.

Ford

Model

Escort

Year of construction

81-90

Code

-

WIRE COLOUR / POSITION

Turn signal left

green-black

Turn signal right

white-black

Turn signal position

At the turn signal switch, in the wires left to the rear or also directly at the tail lamps.

Car lock type

Type2

Car lock open

pink-light green or white

Car lock close

pink-yellow or yellow

Car lock position

Wiring harness coming from driver's door.

Ford

Model

Explorer

Year of construction

95->

Code

-

WIRE COLOUR / POSITION

Turn signal left

white-green

Turn signal right

blue-brown

Turn signal position

At the turn signal switch, in the wires left to the rear or also directly at the tail lamps.

Car lock type

Type2

Car lock open

pink-light green

Car lock close

pink-yellow

Car lock position

Wiring harness coming from driver's door.

Ford

Model

Fiesta

Year of construction

92->

Code

GFJ

WIRE COLOUR / POSITION

Turn signal left

black-green or blue-red

Turn signal right

black-white or blue

Turn signal position

At the turn signal switch, in the wires left to the rear or also directly at the tail lamps.

Car lock type

Type3

Car lock open

yellow-black

Car lock close

white-purple

Car lock position

Wiring harness coming from driver's door.

Ford

Model

Fiesta

Year of construction

89-95

Code

-

WIRE COLOUR / POSITION

Turn signal left

black-green

Turn signal right

black-white

Turn signal position

At the turn signal switch, in the wires left to the rear or also directly at the tail lamps.

Car lock type

Type2

Car lock open

yellow

Car lock close

white

Car lock position

Wiring harness coming from driver's door.

Ford

Model

Focus

Year of construction

98->

Code

-

WIRE COLOUR / POSITION

Turn signal left

blue

Turn signal right

blue-red

Turn signal position

At the turn signal switch, in the wires left to the rear or also directly at the tail lamps.

Car lock type

Type2

Car lock open

black-green

Car lock close

black-orange

Car lock position

Wiring harness coming from driver's door.

Ford

Model

Galaxy

Year of construction

96->

Code

-

WIRE COLOUR / POSITION

Turn signal left

black-green

Turn signal right

black-white

Turn signal position

At the turn signal switch, in the wires left to the rear or also directly at the tail lamps.

Car lock type

Type3

Car lock open

green-red or green

Car lock close

grey-red or grey

Car lock position

18-pin plug (white) in fuse box.

Ford

Model

Galaxy

Year of construction

95->

Code

WGR

WIRE COLOUR / POSITION

Turn signal left

black-green or white-blue

Turn signal right

black-white or white-green

Turn signal position

At the turn signal switch, in the wires left to the rear or also directly at the tail lamps.

Car lock type

Type3

Car lock open

green-red or pink-green

Car lock close

grey-red or pink-yellow

Car lock position

18-pin plug (white) in fuse box.

Ford

Model

Ka

Year of construction

97->

Code

RBT

WIRE COLOUR / POSITION

Turn signal left

blue

Turn signal right

blue-red

Turn signal position

At the turn signal switch, in the wires left to the rear or also directly at the tail lamps.

Car lock type

Type3

Car lock open

yellow-black

Car lock close

white-purple

Car lock position

Wiring harness coming from driver's door.

Ford

Model	Year of construction	Code
Mondeo	93->	GBP

WIRE COLOUR / POSITION

Turn signal left	yellow
Turn signal right	blue
Turn signal position	At the turn signal switch, in the wires left to the rear or also directly at the tail lamps.
Car lock type	Type3
Car lock open	purple-yellow
Car lock close	white-black
Car lock position	Wiring harness coming from driver's door.

Ford

Model	Year of construction	Code
Mustang	96->	-

WIRE COLOUR / POSITION

Turn signal left	green-white
Turn signal right	white-blue
Turn signal position	At the turn signal switch, in the wires left to the rear or also directly at the tail lamps.
Car lock type	Type2
Car lock open	pink-green
Car lock close	pink-yellow
Car lock position	Wiring harness coming from driver's door.

Ford

Model

Probe

Year of construction

93->

Code

ECP

WIRE COLOUR / POSITION

Turn signal left

green-white

Turn signal right

green-black

Turn signal position

At the turn signal switch, in the wires left to the rear or also directly at the tail lamps.

Car lock type

Type3

Car lock open

green-black R4,7k

Car lock close

green-black

Car lock position

Wiring harness coming from driver's door.

Ford

Model

Puma

Year of construction

97->

Code

ECT

WIRE COLOUR / POSITION

Turn signal left

blue

Turn signal right

blue-red

Turn signal position

At the turn signal switch, in the wires left to the rear or also directly at the tail lamps.

Car lock type

Type3

Car lock open

grey-red

Car lock close

white-red

Car lock position

Wiring harness coming from driver's door.

Ford

Model

Puma

Year of construction

98->

Code

-

WIRE COLOUR / POSITION

Turn signal left

blue-red

Turn signal right

blue

Turn signal position

At the turn signal switch, in the wires left to the rear or also directly at the tail lamps.

Car lock type

Type3

Car lock open

white-purple

Car lock close

yellow-black

Car lock position

Wiring harness coming from driver's door.

Ford

Model

Scorpio

Year of construction

89->

Code

GGE

WIRE COLOUR / POSITION

Turn signal left

black-white

Turn signal right

black-green

Turn signal position

At the turn signal switch, in the wires left to the rear or also directly at the tail lamps.

Car lock type

Type3

Car lock open

yellow

Car lock close

white

Car lock position

Wiring harness coming from driver's door.

Ford

Model

Sierra

Year of construction

88->

Code

GBG

WIRE COLOUR / POSITION

Turn signal left

black-white

Turn signal right

black-green

Turn signal position

At the turn signal switch, in the wires left to the rear or also directly at the tail lamps.

Car lock type

Type2

Car lock open

white

Car lock close

yellow

Car lock position

Wiring harness coming from driver's door.

Ford

Model	Year of construction	Code
Thunderbird	91->	-

WIRE COLOUR / POSITION

Turn signal left	-
Turn signal right	-
Turn signal position	At the turn signal switch, in the wires left to the rear or also directly at the tail lamps.
Car lock type	Type2
Car lock open	pink-green
Car lock close	pink-yellow
Car lock position	Wiring harness coming from driver's door.

Ford

Model

Transit

Year of construction

96->

Code

-

WIRE COLOUR / POSITION

Turn signal left

blue

Turn signal right

blue-brown

Turn signal position

At the turn signal switch, in the wires left to the rear or also directly at the tail lamps.

Car lock type

Type3

Car lock open

white-pink

Car lock close

yellow-black

Car lock position

In the fuse box.

Ford

Model

Windstar

Year of construction

95->

Code

A3

WIRE COLOUR / POSITION

Turn signal left

green-white

Turn signal right

white-blue

Turn signal position

At the turn signal switch, in the wires left to the rear or also directly at the tail lamps.

Car lock type

Type2

Car lock open

pink-green

Car lock close

pink-yellow

Car lock position

Wiring harness coming from driver's door.