

RCA 101

Car Alarm &
Radio Remote Control
with turn signal triggering

Mounting Instructions

Honda



■ Warranty

No responsibility is taken for the correctness of the information contained herein. No liability is assumed for errors or misprints.

Due to the high quality of our product, we grant you a 2-year warranty. The function and durability of the central lock control unit depends to a large degree on appropriate mounting. Understandably, we cannot grant any warranty for defects ascribable to wrong or erroneous mounting. In particular, these include charred or burnt components.

Reconsignment of seemingly defective components is categorically at the customer's expense. Trouble shooting is only possible provided that a description of the defect and a copy of the invoice are enclosed. Please note that handling or connecting errors are outside the scope of this warranty. Understandably, we cannot assume liability for defects thus caused.

We grant a 2-year warranty from date of purchase on all components. Warranty includes free of charge trouble shooting of those defects verifiably ascribable to the use of faulty material or to manufacturing errors. All other claims are exempt from liability.

No responsibility or liability is taken for damages or consequential loss relating to this product. Repairation, amendments, supply of spare parts and refunding of purchase price are reserved.

Warranty expires if:

- 1) the device has been altered or if attempts at repairing the device have been made.
- 2) the device has been surcharged.
- 3) damages have come about due to the ignoring of mounting instructions.
- 4) the device has been connected to inadequate current or voltage.
- 5) the appropriate polarity of the device has not been observed.
- 6) the device has been damaged due to maloperation.
- 7) the device has been damaged due to negligent handling.
- 8) the device has been damaged due to by-passed or wrong fuses.

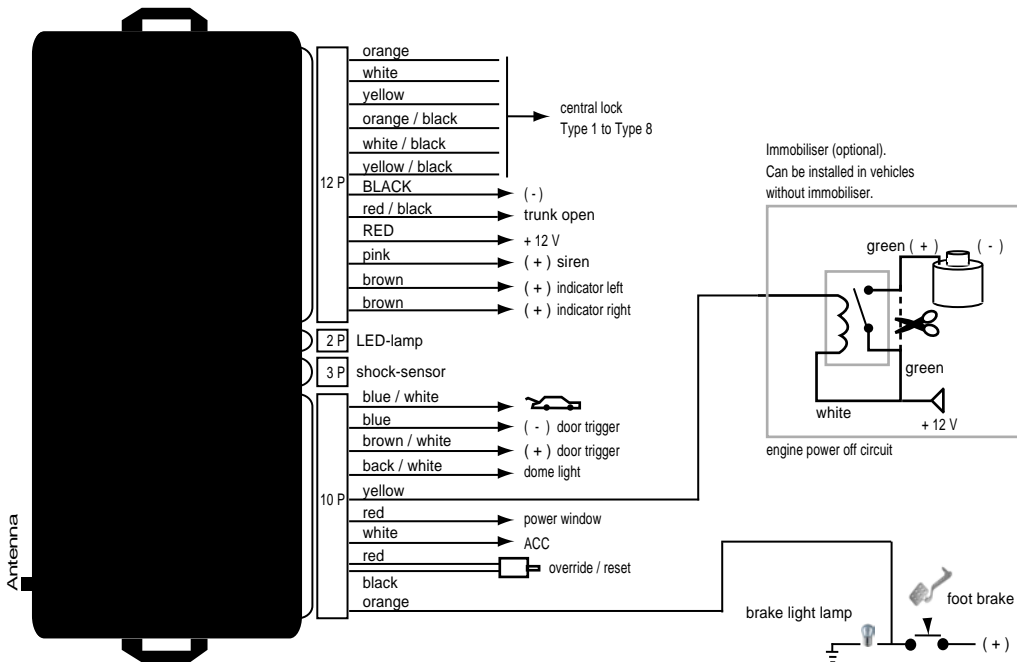
Key alteration:

The blank keys that are screwed into the handheld transmitters only serve as samples (models). You have to have your own car key modified according to this model and screw it onto the transmitter. You may decide for yourself whether you want to use your original car key or have a copy cut in order to have it modified.

Immobilizer:

The immobilizer transponder chip has to be stuck into the handheld transmitter (above the LED).

Receiver



■ Type 1



||| GROUND

■ Type 2



||| GROUND

■ not required, please insulate

■ Type 3



■ not required, please insulate

■ Type 4



■ Type 5: (Pin)



■ not required, please insulate

■ Type 6: (with resistance)



||| GROUND

■ not required, please insulate

■ Type 7



||| GROUND

■ not required, please insulate

■ Type 8: (actuator)



||| GROUND

Honda

Model

Accord

Year of construction

92->

Code

-

WIRE COLOUR / POSITION

Turn signal left

green-blue

Turn signal right

green-yellow

Turn signal position

At the turn signal switch, in the wires left to the rear or also directly at the tail lamps.

Car lock type

Type2

Car lock open

green-red

Car lock close

green-white

Car lock position

Wiring harness coming from driver's door.

Honda

Model	Year of construction	Code
Accord Aerodeck	92->	-

WIRE COLOUR / POSITION

Turn signal left	green-blue-grey
Turn signal right	green-yellow-grey
Turn signal position	At the turn signal switch, in the wires left to the rear or also directly at the tail lamps.
Car lock type	Type2
Car lock open	yellow-red
Car lock close	white-red
Car lock position	Wiring harness coming from driver's door.

Honda

Model	Year of construction	Code
Accord Aerodeck	96->	-

WIRE COLOUR / POSITION

Turn signal left	green-blue
Turn signal right	green-yellow
Turn signal position	At the turn signal switch, in the wires left to the rear or also directly at the tail lamps.
Car lock type	Type2
Car lock open	orange
Car lock close	black-white
Car lock position	Wiring harness coming from driver's door.

Honda

Model	Year of construction	Code
Accord Coupe	96->	-

WIRE COLOUR / POSITION

Turn signal left	green-blue
Turn signal right	green-yellow
Turn signal position	At the turn signal switch, in the wires left to the rear or also directly at the tail lamps.
Car lock type	Type2
Car lock open	black-red
Car lock close	pink
Car lock position	Wiring harness coming from driver's door.

Honda

Model	Year of construction	Code
Civic	93->	-

WIRE COLOUR / POSITION

Turn signal left	green-blue-grey
Turn signal right	green-blue-grey
Turn signal position	At the turn signal switch, in the wires left to the rear or also directly at the tail lamps.
Car lock type	Type2
Car lock open	yellow-red
Car lock close	white-red
Car lock position	Wiring harness coming from driver's door.

Honda

Model

Civic

Year of construction

96->

Code

-

WIRE COLOUR / POSITION

Turn signal left

green-blue

Turn signal right

green-yellow

Turn signal position

At the turn signal switch, in the wires left to the rear or also directly at the tail lamps.

Car lock type

Type2

Car lock open

red-blue

Car lock close

red-white

Car lock position

Wiring harness coming from driver's door.

Honda

Model	Year of construction	Code
Civic - with 3 doors	96->	-

WIRE COLOUR / POSITION

Turn signal left	green-yellow
Turn signal right	green-red
Turn signal position	At the turn signal switch, in the wires left to the rear or also directly at the tail lamps.
Car lock type	Type2
Car lock open	blue-red
Car lock close	blue-white
Car lock position	Wiring harness coming from driver's door.

Honda

Model

CR-V

Year of construction

97->

Code

-

WIRE COLOUR / POSITION

Turn signal left

green-yellow

Turn signal right

green-red

Turn signal position

At the turn signal switch, in the wires left to the rear or also directly at the tail lamps.

Car lock type

Type2

Car lock open

blue-red

Car lock close

blue-white

Car lock position

Wiring harness coming from driver's door.

Honda

Model

CRX

Year of construction

87-90

Code

-

WIRE COLOUR / POSITION

Turn signal left

green-blue-grey

Turn signal right

green-yellow-grey

Turn signal position

At the turn signal switch, in the wires left to the rear or also directly at the tail lamps.

Car lock type

Type8

Car lock open

-

Car lock close

-

Car lock position

Actuator must be installed in the driver's door.

Honda

Model	Year of construction	Code
Legend	93->	-

WIRE COLOUR / POSITION

Turn signal left	green-blue-grey
Turn signal right	green-yellow-grey
Turn signal position	At the turn signal switch, in the wires left to the rear or also directly at the tail lamps.
Car lock type	Type2
Car lock open	green-black-gold
Car lock close	green-white-gold
Car lock position	Wiring harness coming from driver's door.

Honda

Model	Year of construction	Code
Legend	96->	-

WIRE COLOUR / POSITION

Turn signal left	green-yellow
Turn signal right	pink-blue
Turn signal position	At the turn signal switch, in the wires left to the rear or also directly at the tail lamps.
Car lock type	Type3
Car lock open	yellow-red
Car lock close	white-red
Car lock position	In the driver's door.

Honda

Model

NSX

Year of construction

93->

Code

-

WIRE COLOUR / POSITION

Turn signal left

green-blue-grey

Turn signal right

green-yellow-grey

Turn signal position

At the turn signal switch, in the wires left to the rear or also directly at the tail lamps.

Car lock type

Type2

Car lock open

green-black-gold

Car lock close

green-white-gold

Car lock position

Wiring harness coming from driver's door.

Honda

Model

NSX

Year of construction

96->

Code

-

WIRE COLOUR / POSITION

Turn signal left

blue-yellow

Turn signal right

blue-green

Turn signal position

At the turn signal switch, in the wires left to the rear or also directly at the tail lamps.

Car lock type

Type2

Car lock open

blue-red

Car lock close

blue-white

Car lock position

Wiring harness coming from driver's door.

Honda

Model	Year of construction	Code
Prelude	97->	-

WIRE COLOUR / POSITION

Turn signal left	green-blue
Turn signal right	green-yellow
Turn signal position	At the turn signal switch, in the wires left to the rear or also directly at the tail lamps.
Car lock type	Type2
Car lock open	green-orange
Car lock close	red-white
Car lock position	Wiring harness coming from driver's door.

Honda

Model

Prelude

Year of construction

90-96

Code

B B3

WIRE COLOUR / POSITION

Turn signal left

green-blue-silver

Turn signal right

green-yellow-silver

Turn signal position

At the turn signal switch, in the wires left to the rear or also directly at the tail lamps.

Car lock type

Type8

Car lock open

-

Car lock close

-

Car lock position

Actuator must be installed in the driver's door.

Honda

Model

Shuttle

Year of construction

96->

Code

-

WIRE COLOUR / POSITION

Turn signal left

green-blue

Turn signal right

green-yellow

Turn signal position

At the turn signal switch, in the wires left to the rear or also directly at the tail lamps.

Car lock type

Type2

Car lock open

orange

Car lock close

black-white

Car lock position

Wiring harness coming from driver's door.