

RCA 300

Car Alarm &
Radio Remote Control
with turn signal triggering



Mounting Instructions

Lancia

■ Warranty

No responsibility is taken for the correctness of the information contained herein. No liability is assumed for errors or misprints.

Due to the high quality of our product, we grant you a 2-year warranty. The function and durability of the central lock control unit depends to a large degree on appropriate mounting. Understandably, we cannot grant any warranty for defects ascribable to wrong or erroneous mounting. In particular, these include charred or burnt components.

Reconsignment of seemingly defective components is categorically at the customer's expense. Trouble shooting is only possible provided that a description of the defect and a copy of the invoice are enclosed. Please note that handling or connecting errors are outside the scope of this warranty. Understandably, we cannot assume liability for defects thus caused.

We grant a 2-year warranty from date of purchase on all components. Warranty includes free of charge trouble shooting of those defects verifiably ascribable to the use of faulty material or to manufacturing errors. All other claims are exempt from liability.

No responsibility or liability is taken for damages or consequential loss relating to this product. Repairation, amendments, supply of spare parts and refunding of purchase price are reserved.

Warranty expires if:

- 1) the device has been altered or if attempts at repairing the device have been made.
- 2) the device has been surcharged.
- 3) damages have come about due to the ignoring of mounting instructions.
- 4) the device has been connected to inadequate current or voltage.
- 5) the appropriate polarity of the device has not been observed.
- 6) the device has been damaged due to maloperation.
- 7) the device has been damaged due to negligent handling.
- 8) the device has been damaged due to by-passed or wrong fuses.

Key alteration:

The blank keys that are screwed into the handheld transmitters only serve as samples (models). You have to have your own car key modified according to this model and screw it onto the transmitter. You may decide for yourself whether you want to use your original car key or have a copy cut in order to have it modified.

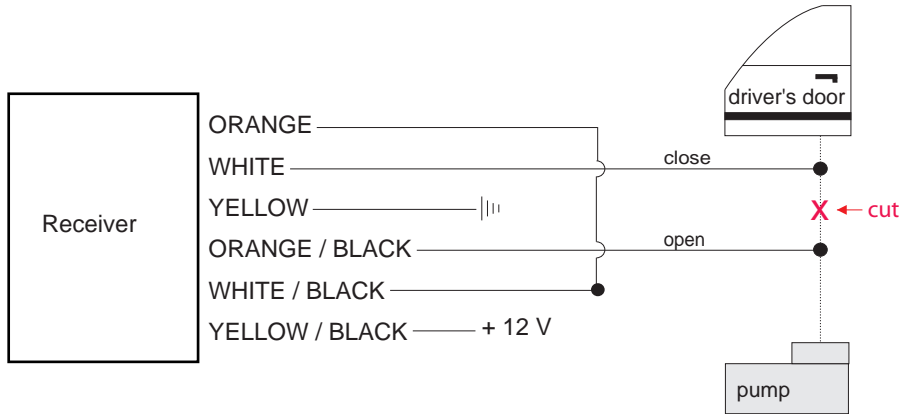
Immobilizer:

The immobilizer transponder chip has to be stuck into the handheld transmitter (above the LED).

Receiver



■ Type 1



| ||| GROUND

■ Type 2



||| GROUND

■ not required, please insulate

■ Type 3

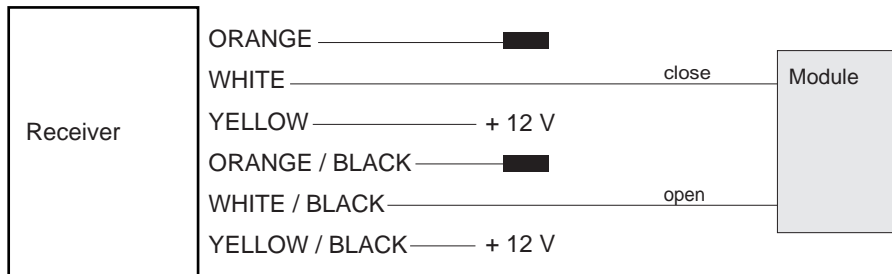


[] not required, please insulate

■ Type 4

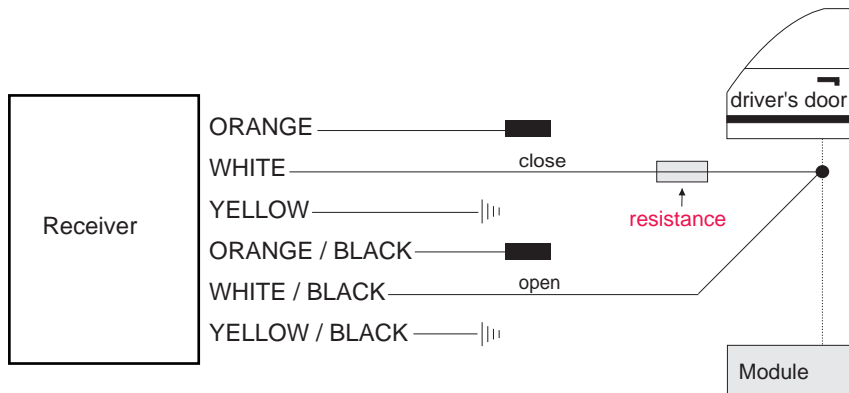


■ Type 5: (Pin)



■ not required, please insulate

■ Type 6: (with resistance)



||| GROUND

■ not required, please insulate

■ Type 7



[ground symbol] GROUND

[black square] not required, please insulate

■ Type 8: (actuator)



||| GROUND

Lancia

Model	Year of construction	Code
Dedra	91->	-

WIRE COLOUR / POSITION

Turn signal left	blue
Turn signal right	blue-black
Turn signal position	At the turn signal switch, in the wires left to the rear or also directly at the tail lamps.
Car lock type	Type2
Car lock open	white
Car lock close	blue-grey or blue
Car lock position	Wiring harness coming from driver's door.

Lancia

Model	Year of construction	Code
Delta	93	-

WIRE COLOUR / POSITION

Turn signal left	light blue
Turn signal right	light blue-black
Turn signal position	At the turn signal switch, in the wires left to the rear or also directly at the tail lamps.
Car lock type	Type2
Car lock open	white
Car lock close	light blue
Car lock position	4-pin plug in the driver floor room left (black marked by "L").

Lancia

Model	Year of construction	Code
Delta	96->	-

WIRE COLOUR / POSITION

Turn signal left	blue
Turn signal right	blue-black
Turn signal position	At the turn signal switch, in the wires left to the rear or also directly at the tail lamps.
Car lock type	Type2
Car lock open	white
Car lock close	blue
Car lock position	Wiring harness coming from driver's door.

Lancia

Model	Year of construction	Code
K/KSW	96->	-

WIRE COLOUR / POSITION

Turn signal left	blue-black
Turn signal right	blue-white
Turn signal position	At the turn signal switch, in the wires left to the rear or also directly at the tail lamps.
Car lock type	Type2
Car lock open	white-yellow
Car lock close	blue-yellow
Car lock position	Wiring harness coming from driver's door.

Lancia

Model	Year of construction	Code
Kappa	95->	-

WIRE COLOUR / POSITION

Turn signal left	black
Turn signal right	blue-white
Turn signal position	At the turn signal switch, in the wires left to the rear or also directly at the tail lamps.
Car lock type	Type2
Car lock open	white or white-yellow
Car lock close	light blue or blue-yellow
Car lock position	Wiring harness coming from driver's door.

Lancia

Model	Year of construction	Code
Thema	91->	-

WIRE COLOUR / POSITION

Turn signal left	blue-white
Turn signal right	blue-black
Turn signal position	At the turn signal switch, in the wires left to the rear or also directly at the tail lamps.
Car lock type	Type2
Car lock open	white
Car lock close	light blue
Car lock position	Wiring harness coming from driver's door.

Lancia

Model	Year of construction	Code
Y	96->	-

WIRE COLOUR / POSITION

Turn signal left	blue
Turn signal right	blue-black
Turn signal position	At the turn signal switch, in the wires left to the rear or also directly at the tail lamps.
Car lock type	Type2
Car lock open	blue
Car lock close	white
Car lock position	Wiring harness coming from driver's door.

Lancia

Model	Year of construction	Code
Y10	94->	-

WIRE COLOUR / POSITION

Turn signal left	blue
Turn signal right	blue-black
Turn signal position	At the turn signal switch, in the wires left to the rear or also directly at the tail lamps.
Car lock type	Type2
Car lock open	white-yellow
Car lock close	blue-red
Car lock position	Wiring harness coming from driver's door.

Lancia

Model	Year of construction	Code
Z	98->	-

WIRE COLOUR / POSITION

Turn signal left	green 2335
Turn signal right	green 2345
Turn signal position	At the turn signal switch, in the wires left to the rear or also directly at the tail lamps.
Car lock type	Type2
Car lock open	orange 6290
Car lock close	orange 6291
Car lock position	Wiring harness coming from driver's door.