

RCA 300

Car Alarm &
Radio Remote Control
with turn signal triggering



Mounting Instructions

Mercedes

■ Warranty

No responsibility is taken for the correctness of the information contained herein. No liability is assumed for errors or misprints.

Due to the high quality of our product, we grant you a 2-year warranty. The function and durability of the central lock control unit depends to a large degree on appropriate mounting. Understandably, we cannot grant any warranty for defects ascribable to wrong or erroneous mounting. In particular, these include charred or burnt components.

Reconsignment of seemingly defective components is categorically at the customer's expense. Trouble shooting is only possible provided that a description of the defect and a copy of the invoice are enclosed. Please note that handling or connecting errors are outside the scope of this warranty. Understandably, we cannot assume liability for defects thus caused.

We grant a 2-year warranty from date of purchase on all components. Warranty includes free of charge trouble shooting of those defects verifiably ascribable to the use of faulty material or to manufacturing errors. All other claims are exempt from liability.

No responsibility or liability is taken for damages or consequential loss relating to this product. Repairation, amendments, supply of spare parts and refunding of purchase price are reserved.

Warranty expires if:

- 1) the device has been altered or if attempts at repairing the device have been made.
- 2) the device has been surcharged.
- 3) damages have come about due to the ignoring of mounting instructions.
- 4) the device has been connected to inadequate current or voltage.
- 5) the appropriate polarity of the device has not been observed.
- 6) the device has been damaged due to maloperation.
- 7) the device has been damaged due to negligent handling.
- 8) the device has been damaged due to by-passed or wrong fuses.

Key alteration:

The blank keys that are screwed into the handheld transmitters only serve as samples (models). You have to have your own car key modified according to this model and screw it onto the transmitter. You may decide for yourself whether you want to use your original car key or have a copy cut in order to have it modified.

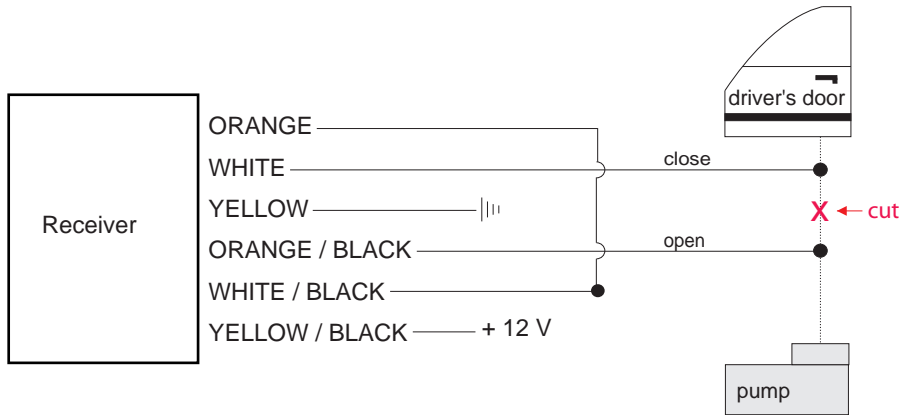
Immobilizer:

The immobilizer transponder chip has to be stuck into the handheld transmitter (above the LED).

Receiver



■ Type 1



||| GROUND

■ Type 2



||| GROUND

■ not required, please insulate

■ Type 3



[] not required, please insulate

■ Type 4



■ Type 5: (Pin)



■ not required, please insulate

■ Type 6: (with resistance)



||| GROUND

■ not required, please insulate

■ Type 7



||| GROUND

■ not required, please insulate

■ Type 8: (actuator)



||| GROUND

Mercedes

Model

190

Year of construction

91->

Code

W201

WIRE COLOUR / POSITION

Turn signal left

black-white

Turn signal right

black-green

Turn signal position

At the turn signal switch, in the wires left to the rear or also directly at the tail lamps.

Car lock type

Type1

Car lock open

blue

Car lock close

blue

Car lock position

Directly at the central lock pump under the back seat.

Mercedes

Model

200-500

Year of construction

95->

Code

W124

WIRE COLOUR / POSITION

Turn signal left

black-white

Turn signal right

black-green

Turn signal position

At the turn signal switch, in the wires left to the rear or also directly at the tail lamps.

Car lock type

Type1

Car lock open

blue

Car lock close

blue

Car lock position

Directly at the central lock pump under the back seat.

Mercedes

Model	Year of construction	Code
260WE-560WE	91->	W126

WIRE COLOUR / POSITION

Turn signal left	black-white
Turn signal right	black-green
Turn signal position	At the turn signal switch, in the wires left to the rear or also directly at the tail lamps.
Car lock type	Type1
Car lock open	blue
Car lock close	blue
Car lock position	Directly at the central lock pump under the back seat.

Mercedes

Model	Year of construction	Code
A-class	97->	W168

WIRE COLOUR / POSITION

Turn signal left	black-white
Turn signal right	black-green
Turn signal position	At the turn signal switch, in the wires left to the rear or also directly at the tail lamps.
Car lock type	Type2
Car lock open	blue
Car lock close	black
Car lock position	Wiring harness coming from driver's door.

Mercedes

Model	Year of construction	Code
C180-280	94->	W202

WIRE COLOUR / POSITION

Turn signal left	black-white
Turn signal right	black-green
Turn signal position	At the turn signal switch, in the wires left to the rear or also directly at the tail lamps.
Car lock type	Type2
Car lock open	blue
Car lock close	black
Car lock position	Central lock pump in the trunk (right).

Mercedes

Model	Year of construction	Code
CLK	97->	C208

WIRE COLOUR / POSITION

Turn signal left	black-white
Turn signal right	black-green
Turn signal position	At the turn signal switch, in the wires left to the rear or also directly at the tail lamps.
Car lock type	Type6
Car lock open	white-green
Car lock close	white-green with 200 ohm resistance
Car lock position	Wiring harness coming from driver's door.

Mercedes

Model	Year of construction	Code
E200-420	95->	W210

WIRE COLOUR / POSITION

Turn signal left	black-white
Turn signal right	black-green
Turn signal position	At the turn signal switch, in the wires left to the rear or also directly at the tail lamps.
Car lock type	Type6
Car lock open	white-green
Car lock close	white-green with 200 ohm resistance
Car lock position	Under the back seat.

Mercedes

Model	Year of construction	Code
G230-300	91->	W460

WIRE COLOUR / POSITION

Turn signal left	black-white
Turn signal right	black-green
Turn signal position	At the turn signal switch, in the wires left to the rear or also directly at the tail lamps.
Car lock type	Type2
Car lock open	brown-white
Car lock close	brown-blue
Car lock position	Wiring harness coming from driver's door.

Mercedes

Model	Year of construction	Code
S-class	99->	W140

WIRE COLOUR / POSITION

Turn signal left	black-white
Turn signal right	black-green
Turn signal position	At the turn signal switch, in the wires left to the rear or also directly at the tail lamps.
Car lock type	Type2
Car lock open	blue-black
Car lock close	blue-yellow
Car lock position	Wiring harness coming from driver's door.

Mercedes

Model	Year of construction	Code
S-class	->91	W12

WIRE COLOUR / POSITION

Turn signal left	black-white
Turn signal right	black-green
Turn signal position	At the turn signal switch, in the wires left to the rear or also directly at the tail lamps.
Car lock type	Type1
Car lock open	blue or green
Car lock close	blue or green
Car lock position	Directly at the central lock pump.

Mercedes

Model	Year of construction	Code
SL	89->	R129

WIRE COLOUR / POSITION

Turn signal left	black-white
Turn signal right	black-green
Turn signal position	At the turn signal switch, in the wires left to the rear or also directly at the tail lamps.
Car lock type	Type1
Car lock open	blue
Car lock close	blue
Car lock position	Directly at the central lock pump.

Mercedes

Model	Year of construction	Code
SLK	96->	R170

WIRE COLOUR / POSITION

Turn signal left	black-white
Turn signal right	black-green
Turn signal position	At the turn signal switch, in the wires left to the rear or also directly at the tail lamps.
Car lock type	Type6
Car lock open	white-green
Car lock close	white-green with 200 ohm resistance
Car lock position	Wiring harness coming from driver's door.

Mercedes

Model	Year of construction	Code
Sprinter	2000->	-

WIRE COLOUR / POSITION

Turn signal left	black-white
Turn signal right	black-green
Turn signal position	At the turn signal switch, in the wires left to the rear or also directly at the tail lamps.
Car lock type	Type2
Car lock open	pin 5
Car lock close	pin 7
Car lock position	At the plug at the controller under the driver's seat.

Mercedes

Model	Year of construction	Code
Sprinter	97->	-

WIRE COLOUR / POSITION

Turn signal left	black-white
Turn signal right	black-green
Turn signal position	At the turn signal switch, in the wires left to the rear or also directly at the tail lamps.
Car lock type	Type2
Car lock open	green-white
Car lock close	blue-red
Car lock position	At the controller under the driver's seat.

Mercedes

Model	Year of construction	Code
V-class	96->	638

WIRE COLOUR / POSITION

Turn signal left	black-white
Turn signal right	black-green
Turn signal position	At the turn signal switch, in the wires left to the rear or also directly at the tail lamps.
Car lock type	Type2
Car lock open	blue-black
Car lock close	blue-yellow
Car lock position	Wiring harness coming from driver's door.

Mercedes

Model	Year of construction	Code
Vito	98->	-

WIRE COLOUR / POSITION

Turn signal left	black-white
Turn signal right	black-green
Turn signal position	At the turn signal switch, in the wires left to the rear or also directly at the tail lamps.
Car lock type	Type3
Car lock open	green-black
Car lock close	blue-red
Car lock position	Wiring harness coming from driver's door.