

RC 300

Radio Remote Control
with turn signal triggering



Mounting Instructions

Mitsubishi

■ Warranty

No responsibility is taken for the correctness of the information contained herein. No liability is assumed for errors or misprints.

Due to the high quality of our product, we grant you a 2-year warranty. The function and durability of the central lock control unit depends to a large degree on appropriate mounting. Understandably, we cannot grant any warranty for defects ascribable to wrong or erroneous mounting. In particular, these include charred or burnt components.

Reconsignment of seemingly defective components is categorically at the customer's expense. Trouble shooting is only possible provided that a description of the defect and a copy of the invoice are enclosed. Please note that handling or connecting errors are outside the scope of this warranty. Understandably, we cannot assume liability for defects thus caused.

We grant a 2-year warranty from date of purchase on all components. Warranty includes free of charge trouble shooting of those defects verifiably ascribable to the use of faulty material or to manufacturing errors. All other claims are exempt from liability.

No responsibility or liability is taken for damages or consequential loss relating to this product. Repairation, amendments, supply of spare parts and refunding of purchase price are reserved.

Warranty expires if:

- 1) the device has been altered or if attempts at repairing the device have been made.
- 2) the device has been surcharged.
- 3) damages have come about due to the ignoring of mounting instructions.
- 4) the device has been connected to inadequate current or voltage.
- 5) the appropriate polarity of the device has not been observed.
- 6) the device has been damaged due to maloperation.
- 7) the device has been damaged due to negligent handling.
- 8) the device has been damaged due to by-passed or wrong fuses.

Key alteration:

The blank keys that are screwed into the handheld transmitters only serve as samples (models). You have to have your own car key modified according to this model and screw it onto the transmitter. You may decide for yourself whether you want to use your original car key or have a copy cut in order to have it modified.

Immobilizer:

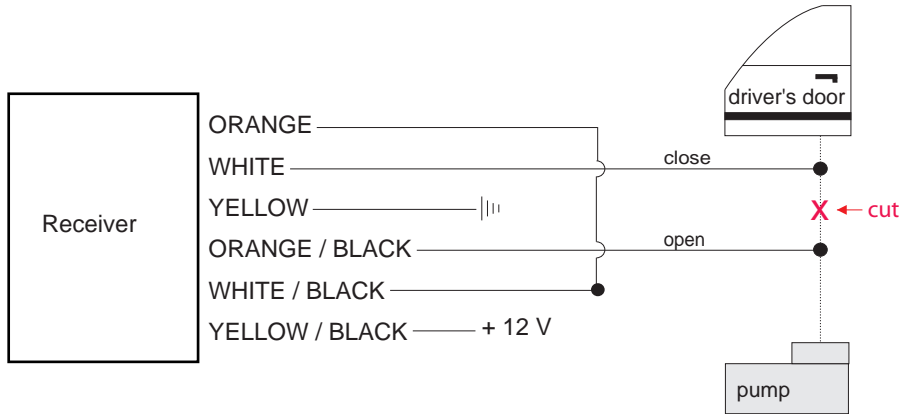
The immobilizer transponder chip has to be stuck into the handheld transmitter (above the LED).

Receiver



X = not required, please insulate

■ Type 1



||| GROUND

■ Type 2



||| GROUND

■ not required, please insulate

■ Type 3



■ not required, please insulate

■ Type 4



■ Type 5: (Pin)



■ not required, please insulate

■ Type 6: (with resistance)



||| GROUND

■ not required, please insulate

■ Type 7



||| GROUND

[black square] not required, please insulate

■ Type 8: (actuator)



||| GROUND

Mitsubishi

Model

3000GT

Year of construction

95->

Code

-

WIRE COLOUR / POSITION

Turn signal left

green-blue

Turn signal right

green-red

Turn signal position

At the turn signal switch, in the wires left to the rear or also directly at the tail lamps.

Car lock type

Type2

Car lock open

brown-blue

Car lock close

brown-white

Car lock position

Wiring harness coming from driver's door.

Mitsubishi

Model	Year of construction	Code
Carisma	97->	-

WIRE COLOUR / POSITION

Turn signal left	green-red
Turn signal right	green-black
Turn signal position	At the turn signal switch, in the wires left to the rear or also directly at the tail lamps.
Car lock type	Type8
Car lock open	-
Car lock close	-
Car lock position	Actuator must be installed in the driver's door.

Mitsubishi

Model	Year of construction	Code
Carisma	96->	-

WIRE COLOUR / POSITION

Turn signal left	green-light blue
Turn signal right	green-red-brown
Turn signal position	At the turn signal switch, in the wires left to the rear or also directly at the tail lamps.
Car lock type	Type2
Car lock open	brown-yellow or red-green
Car lock close	brown-black or green-white
Car lock position	Wiring harness coming from driver's door.

Mitsubishi

Model

Colt

Year of construction

93->

Code

-

WIRE COLOUR / POSITION

Turn signal left

green-red

Turn signal right

green-blue

Turn signal position

At the turn signal switch, in the wires left to the rear or also directly at the tail lamps.

Car lock type

Type8

Car lock open

-

Car lock close

-

Car lock position

Actuator must be installed in the driver's door.

Mitsubishi

Model

Colt

Year of construction

96->

Code

-

WIRE COLOUR / POSITION

Turn signal left

green-red

Turn signal right

green-blue

Turn signal position

At the turn signal switch, in the wires left to the rear or also directly at the tail lamps.

Car lock type

Type2

Car lock open

brown-red

Car lock close

brown-black

Car lock position

Wiring harness coming from driver's door.

Mitsubishi

Model

Colt

Year of construction

96->

Code

-

WIRE COLOUR / POSITION

Turn signal left

green-red

Turn signal right

green-yellow

Turn signal position

At the turn signal switch, in the wires left to the rear or also directly at the tail lamps.

Car lock type

Type2

Car lock open

green-black

Car lock close

blue-white

Car lock position

Wiring harness coming from driver's door.

Mitsubishi

Model

Eclipse

Year of construction

93-96

Code

-

WIRE COLOUR / POSITION

Turn signal left

green-yellow or green-blue

Turn signal right

green-blue or green-red

Turn signal position

At the turn signal switch, in the wires left to the rear or also directly at the tail lamps.

Car lock type

Type2

Car lock open

brown-white or green

Car lock close

brown-blue or black

Car lock position

Wiring harness coming from driver's door.

Mitsubishi

Model	Year of construction	Code
Eclipse	96->	-

WIRE COLOUR / POSITION

Turn signal left	green-blue-silver
Turn signal right	green-red-silver
Turn signal position	At the turn signal switch, in the wires left to the rear or also directly at the tail lamps.
Car lock type	Type2
Car lock open	brown-silver
Car lock close	brown-white-silver
Car lock position	Wiring harness coming from driver's door.

Mitsubishi

Model

Galant

Year of construction

93-97

Code

-

WIRE COLOUR / POSITION

Turn signal left

green-blue

Turn signal right

green-red

Turn signal position

At the turn signal switch, in the wires left to the rear or also directly at the tail lamps.

Car lock type

Type2

Car lock open

red-green or brown-white

Car lock close

green-white or brown-yellow

Car lock position

Wiring harness coming from driver's door.

Mitsubishi

Model	Year of construction	Code
L 200/300	-	-

WIRE COLOUR / POSITION

Turn signal left	-
Turn signal right	-
Turn signal position	At the turn signal switch, in the wires left to the rear or also directly at the tail lamps.
Car lock type	Type8
Car lock open	-
Car lock close	-
Car lock position	Actuator must be installed in the driver's door.

Mitsubishi

Model

Lancer

Year of construction

92-96

Code

-

WIRE COLOUR / POSITION

Turn signal left

green-blue

Turn signal right

green-red-brown

Turn signal position

At the turn signal switch, in the wires left to the rear or also directly at the tail lamps.

Car lock type

Type2

Car lock open

brown-yellow or brown- red

Car lock close

brown-white or brown-black

Car lock position

Wiring harness coming from driver's door.

Mitsubishi

Model	Year of construction	Code
Pajero	92->	-

WIRE COLOUR / POSITION

Turn signal left	green-yellow
Turn signal right	green-blue
Turn signal position	At the turn signal switch, in the wires left to the rear or also directly at the tail lamps.
Car lock type	Type2
Car lock open	black-red-silver
Car lock close	blue-white-silver
Car lock position	Wiring harness coming from driver's door.

Mitsubishi

Model	Year of construction	Code
Pajero TDI	96->	-

WIRE COLOUR / POSITION

Turn signal left	green-blue
Turn signal right	green-yellow
Turn signal position	At the turn signal switch, in the wires left to the rear or also directly at the tail lamps.
Car lock type	Type2
Car lock open	blue-white
Car lock close	black-red-silbe
Car lock position	Wiring harness coming from driver's door.

Mitsubishi

Model

Sigma

Year of construction

92->

Code

-

WIRE COLOUR / POSITION

Turn signal left

green-blue

Turn signal right

green-red

Turn signal position

At the turn signal switch, in the wires left to the rear or also directly at the tail lamps.

Car lock type

Type2

Car lock open

yellow-red

Car lock close

green-white

Car lock position

Wiring harness coming from driver's door.

Mitsubishi

Model	Year of construction	Code
Space Gear	97->	-

WIRE COLOUR / POSITION

Turn signal left	green-yellow
Turn signal right	green-blue
Turn signal position	At the turn signal switch, in the wires left to the rear or also directly at the tail lamps.
Car lock type	Type8
Car lock open	-
Car lock close	-
Car lock position	Actuator must be installed in the driver's door.

Mitsubishi

Model	Year of construction	Code
Space Runner	92-96	-

WIRE COLOUR / POSITION

Turn signal left	green-red or green-yellow
Turn signal right	green-blue
Turn signal position	At the turn signal switch, in the wires left to the rear or also directly at the tail lamps.
Car lock type	Type2
Car lock open	black-yellow or green-black
Car lock close	black-blue or green-red-black
Car lock position	Wiring harness coming from driver's door.

Mitsubishi

Model	Year of construction	Code
Space Wagon GWD	90->	-

WIRE COLOUR / POSITION

Turn signal left	green-yellow
Turn signal right	green-blue
Turn signal position	At the turn signal switch, in the wires left to the rear or also directly at the tail lamps.
Car lock type	Type2
Car lock open	red-blue
Car lock close	brown-white
Car lock position	Wiring harness coming from driver's door.

Mitsubishi

Model	Year of construction	Code
Space Wagon GWD	92->	-

WIRE COLOUR / POSITION

Turn signal left	green-red
Turn signal right	green-blue
Turn signal position	At the turn signal switch, in the wires left to the rear or also directly at the tail lamps.
Car lock type	Type2
Car lock open	green-red
Car lock close	green-black
Car lock position	Wiring harness coming from driver's door.

Mitsubishi

Model	Year of construction	Code
Space Wagon GWD	96->	-

WIRE COLOUR / POSITION

Turn signal left	green-red
Turn signal right	green-blue
Turn signal position	At the turn signal switch, in the wires left to the rear or also directly at the tail lamps.
Car lock type	Type2
Car lock open	black-yellow
Car lock close	black-blue
Car lock position	Wiring harness coming from driver's door.