

RCA 101

Car Alarm &
Radio Remote Control
with turn signal triggering

Mounting Instructions

Peugeot



■ Warranty

No responsibility is taken for the correctness of the information contained herein. No liability is assumed for errors or misprints.

Due to the high quality of our product, we grant you a 2-year warranty. The function and durability of the central lock control unit depends to a large degree on appropriate mounting. Understandably, we cannot grant any warranty for defects ascribable to wrong or erroneous mounting. In particular, these include charred or burnt components.

Reconsignment of seemingly defective components is categorically at the customer's expense. Trouble shooting is only possible provided that a description of the defect and a copy of the invoice are enclosed. Please note that handling or connecting errors are outside the scope of this warranty. Understandably, we cannot assume liability for defects thus caused.

We grant a 2-year warranty from date of purchase on all components. Warranty includes free of charge trouble shooting of those defects verifiably ascribable to the use of faulty material or to manufacturing errors. All other claims are exempt from liability.

No responsibility or liability is taken for damages or consequential loss relating to this product. Repairation, amendments, supply of spare parts and refunding of purchase price are reserved.

Warranty expires if:

- 1) the device has been altered or if attempts at repairing the device have been made.
- 2) the device has been surcharged.
- 3) damages have come about due to the ignoring of mounting instructions.
- 4) the device has been connected to inadequate current or voltage.
- 5) the appropriate polarity of the device has not been observed.
- 6) the device has been damaged due to maloperation.
- 7) the device has been damaged due to negligent handling.
- 8) the device has been damaged due to by-passed or wrong fuses.

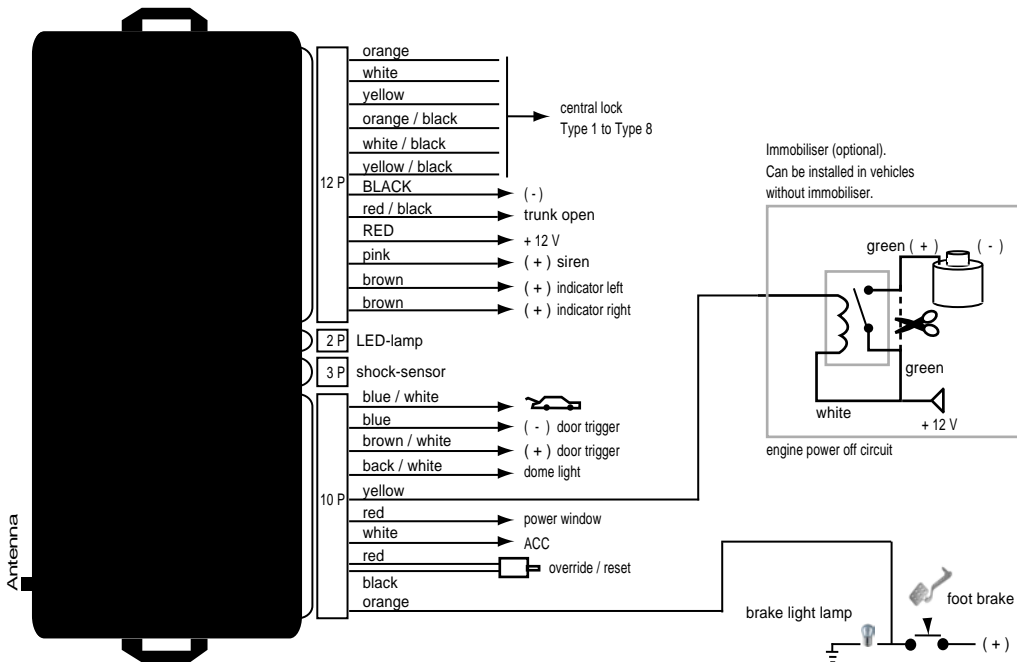
Key alteration:

The blank keys that are screwed into the handheld transmitters only serve as samples (models). You have to have your own car key modified according to this model and screw it onto the transmitter. You may decide for yourself whether you want to use your original car key or have a copy cut in order to have it modified.

Immobilizer:

The immobilizer transponder chip has to be stuck into the handheld transmitter (above the LED).

Receiver



■ Type 1



||| GROUND

■ Type 2



||| GROUND

■ not required, please insulate

■ Type 3



[] not required, please insulate

■ Type 4



■ Type 5: (Pin)



■ not required, please insulate

■ Type 6: (with resistance)



||| GROUND

■ not required, please insulate

■ Type 7



||| GROUND

■ not required, please insulate

■ Type 8: (actuator)



| | | GROUND

Peugeot

Model

106

Year of construction

->97

Code

1C

WIRE COLOUR / POSITION

Turn signal left

green

Turn signal right

red

Turn signal position

At the turn signal switch, in the wires left to the rear or also directly at the tail lamps.

Car lock type

Type2

Car lock open

orange 627

Car lock close

purple 628

Car lock position

9-pin plug (brown) in fuse box.

Peugeot

Model	Year of construction	Code
106	96-97	1C

WIRE COLOUR / POSITION

Turn signal left	green 2343
Turn signal right	red 2333
Turn signal position	At the turn signal switch, in the wires left to the rear or also directly at the tail lamps.
Car lock type	Type2
Car lock open	grey 623 or orange 627
Car lock close	brown 625 or purple 628
Car lock position	Wiring harness coming from driver's door.

Peugeot

Model

106

Year of construction

->93

Code

1C

WIRE COLOUR / POSITION

Turn signal left

green

Turn signal right

red

Turn signal position

At the turn signal switch, in the wires left to the rear or also directly at the tail lamps.

Car lock type

Type2

Car lock open

white

Car lock close

red

Car lock position

9-pin plug (brown) in fuse box.

Peugeot

Model	Year of construction	Code
205	90	20C

WIRE COLOUR / POSITION

Turn signal left	blue 38
Turn signal right	white 37
Turn signal position	At the turn signal switch, in the wires left to the rear or also directly at the tail lamps.
Car lock type	Type2
Car lock open	yellow 205
Car lock close	pink 206
Car lock position	Wiring harness coming from driver's door.

Peugeot

Model

205

Year of construction

90-91

Code

-

WIRE COLOUR / POSITION

Turn signal left

white 37

Turn signal right

blue or light blue 38

Turn signal position

At the turn signal switch, in the wires left to the rear or also directly at the tail lamps.

Car lock type

Type2

Car lock open

white, 0,75 mm or yellow 205

Car lock close

yellow or pink 206

Car lock position

Wiring harness coming from driver's door.

Peugeot

Model	Year of construction	Code
205	91->	-

WIRE COLOUR / POSITION

Turn signal left	white
Turn signal right	blue or light blue
Turn signal position	At the turn signal switch, in the wires left to the rear or also directly at the tail lamps.
Car lock type	Type2
Car lock open	white, 0,75 mm
Car lock close	yellow
Car lock position	Wiring harness coming from driver's door.

Peugeot

Model	Year of construction	Code
205GT116V	91->	-

WIRE COLOUR / POSITION

Turn signal left	blue 38
Turn signal right	white 37
Turn signal position	At the turn signal switch, in the wires left to the rear or also directly at the tail lamps.
Car lock type	Type2
Car lock open	yellow
Car lock close	white
Car lock position	Wiring harness coming from driver's door.

Peugeot

Model

306

Year of construction

93->

Code

7A

WIRE COLOUR / POSITION

Turn signal left

green

Turn signal right

red

Turn signal position

At the turn signal switch, in the wires left to the rear or also directly at the tail lamps.

Car lock type

Type2

Car lock open

yellow 627

Car lock close

white 628

Car lock position

9-pin plug in fuse box.

Peugeot

Model

306

Year of construction

94->

Code

7C

WIRE COLOUR / POSITION

Turn signal left

green 233

Turn signal right

red 234

Turn signal position

At the turn signal switch, in the wires left to the rear or also directly at the tail lamps.

Car lock type

Type2

Car lock open

purple 6231

Car lock close

orange 6251

Car lock position

14-pin plug on the central module under back seat (right).

Peugeot

Model	Year of construction	Code
306	97	-

WIRE COLOUR / POSITION

Turn signal left	green 233
Turn signal right	brown 234
Turn signal position	At the turn signal switch, in the wires left to the rear or also directly at the tail lamps.
Car lock type	Type2
Car lock open	purple 628
Car lock close	orange 627
Car lock position	Wiring harness coming from driver's door.

Peugeot

Model

405

Year of construction

88->

Code

-

WIRE COLOUR / POSITION

Turn signal left

white

Turn signal right

blue

Turn signal position

At the turn signal switch, in the wires left to the rear or also directly at the tail lamps.

Car lock type

Type2

Car lock open

orange

Car lock close

grey

Car lock position

Wiring harness coming from driver's door.

Peugeot

Model	Year of construction	Code
405	91->	-

WIRE COLOUR / POSITION

Turn signal left	blue 18
Turn signal right	white 19
Turn signal position	At the turn signal switch, in the wires left to the rear or also directly at the tail lamps.
Car lock type	Type2
Car lock open	brown 205
Car lock close	green 206
Car lock position	Central module.

Peugeot

Model

405

Year of construction

92->

Code

4B

WIRE COLOUR / POSITION

Turn signal left

blue 2344

Turn signal right

white 2334

Turn signal position

At the turn signal switch, in the wires left to the rear or also directly at the tail lamps.

Car lock type

Type2

Car lock open

orange 5

Car lock close

grey 7

Car lock position

Wiring harness coming from driver's door.

Peugeot

Model	Year of construction	Code
405	95->	-

WIRE COLOUR / POSITION

Turn signal left	white
Turn signal right	blue
Turn signal position	At the turn signal switch, in the wires left to the rear or also directly at the tail lamps.
Car lock type	Type2
Car lock open	orange 6231
Car lock close	orange 6251
Car lock position	Wiring harness coming from driver's door.

Peugeot

Model	Year of construction	Code
405 DI	->95	15B

WIRE COLOUR / POSITION

Turn signal left	blue 18
Turn signal right	white 19
Turn signal position	At the turn signal switch, in the wires left to the rear or also directly at the tail lamps.
Car lock type	Type2
Car lock open	brown 205
Car lock close	green 206
Car lock position	Central module.

Peugeot

Model

406

Year of construction

98->

Code

-

WIRE COLOUR / POSITION

Turn signal left

beige

Turn signal right

green

Turn signal position

At the turn signal switch, in the wires left to the rear or also directly at the tail lamps.

Car lock type

Type2

Car lock open

brown

Car lock close

orange

Car lock position

Wiring harness coming from driver's door.

Peugeot

Model

406

Year of construction

96->

Code

-

WIRE COLOUR / POSITION

Turn signal left

brown 233

Turn signal right

grey 234

Turn signal position

At the turn signal switch, in the wires left to the rear or also directly at the tail lamps.

Car lock type

Type2

Car lock open

orange 6231

Car lock close

brown 625

Car lock position

Wiring harness coming from driver's door.

Peugeot

Model

406

Year of construction

96-98

Code

-

WIRE COLOUR / POSITION

Turn signal left

beige or brown 233

Turn signal right

green or grey 234

Turn signal position

At the turn signal switch, in the wires left to the rear or also directly at the tail lamps.

Car lock type

Type2

Car lock open

Braun 6231

Car lock close

Orange 625

Car lock position

Wiring harness coming from driver's door.