

RCA 101

Car Alarm &
Radio Remote Control
with turn signal triggering

Mounting Instructions

Toyota



■ Warranty

No responsibility is taken for the correctness of the information contained herein. No liability is assumed for errors or misprints.

Due to the high quality of our product, we grant you a 2-year warranty. The function and durability of the central lock control unit depends to a large degree on appropriate mounting. Understandably, we cannot grant any warranty for defects ascribable to wrong or erroneous mounting. In particular, these include charred or burnt components.

Reconsignment of seemingly defective components is categorically at the customer's expense. Trouble shooting is only possible provided that a description of the defect and a copy of the invoice are enclosed. Please note that handling or connecting errors are outside the scope of this warranty. Understandably, we cannot assume liability for defects thus caused.

We grant a 2-year warranty from date of purchase on all components. Warranty includes free of charge trouble shooting of those defects verifiably ascribable to the use of faulty material or to manufacturing errors. All other claims are exempt from liability.

No responsibility or liability is taken for damages or consequential loss relating to this product. Repairation, amendments, supply of spare parts and refunding of purchase price are reserved.

Warranty expires if:

- 1) the device has been altered or if attempts at repairing the device have been made.
- 2) the device has been surcharged.
- 3) damages have come about due to the ignoring of mounting instructions.
- 4) the device has been connected to inadequate current or voltage.
- 5) the appropriate polarity of the device has not been observed.
- 6) the device has been damaged due to maloperation.
- 7) the device has been damaged due to negligent handling.
- 8) the device has been damaged due to by-passed or wrong fuses.

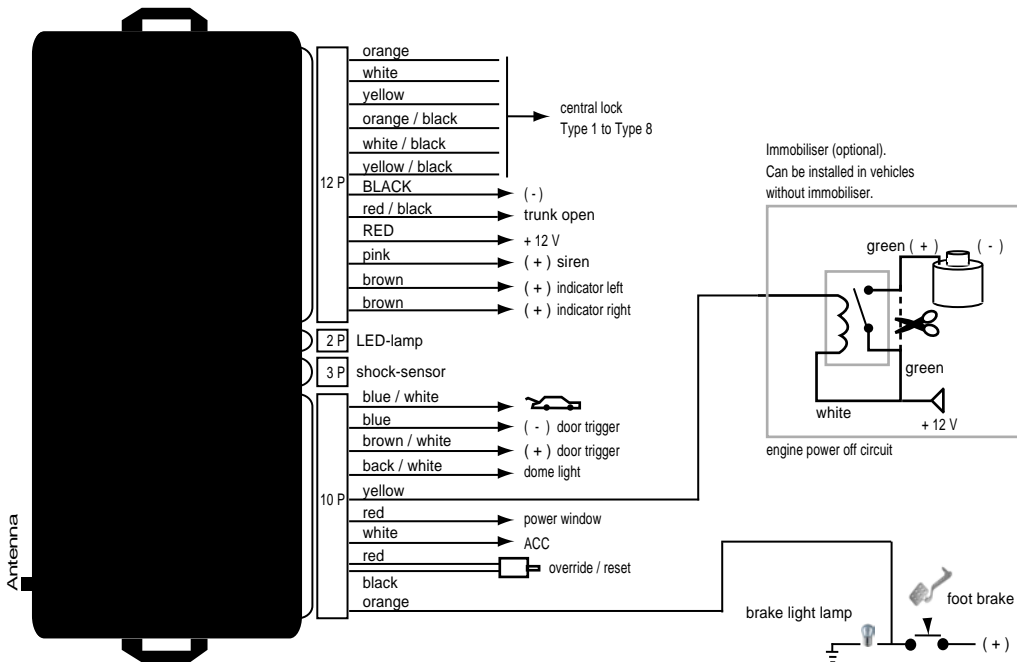
Key alteration:

The blank keys that are screwed into the handheld transmitters only serve as samples (models). You have to have your own car key modified according to this model and screw it onto the transmitter. You may decide for yourself whether you want to use your original car key or have a copy cut in order to have it modified.

Immobilizer:

The immobilizer transponder chip has to be stuck into the handheld transmitter (above the LED).

Receiver

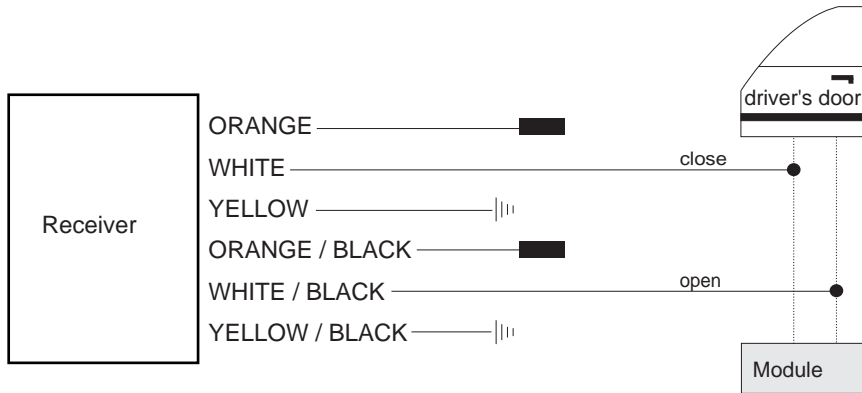


■ Type 1



||| GROUND

■ Type 2



||| GROUND

■ not required, please insulate

■ Type 3



[] not required, please insulate

■ Type 4



■ Type 5: (Pin)



■ not required, please insulate

■ Type 6: (with resistance)



||| GROUND

■ not required, please insulate

■ Type 7



[ground symbol] GROUND

[black square] not required, please insulate

■ Type 8: (actuator)



||| GROUND

Toyota

Model	Year of construction	Code
Avensis	98->	-

WIRE COLOUR / POSITION

Turn signal left	green-yellow
Turn signal right	green-black
Turn signal position	At the turn signal switch, in the wires left to the rear or also directly at the tail lamps.
Car lock type	Type2
Car lock open	blue-orange
Car lock close	blue
Car lock position	Wiring harness coming from driver's door.

Toyota

Model

Carina

Year of construction

93->

Code

-

WIRE COLOUR / POSITION

Turn signal left

green-black

Turn signal right

green-yellow

Turn signal position

At the turn signal switch, in the wires left to the rear or also directly at the tail lamps.

Car lock type

Type8

Car lock open

-

Car lock close

-

Car lock position

Actuator must be installed in the driver's door.

Toyota

Model

Carina

Year of construction

96->

Code

-

WIRE COLOUR / POSITION

Turn signal left

green-black

Turn signal right

green-yellow

Turn signal position

At the turn signal switch, in the wires left to the rear or also directly at the tail lamps.

Car lock type

Type2

Car lock open

brown-yellow

Car lock close

brown-white

Car lock position

Wiring harness coming from driver's door.

Toyota

Model	Year of construction	Code
Celica	96->	-

WIRE COLOUR / POSITION

Turn signal left	green-yellow
Turn signal right	green-black
Turn signal position	At the turn signal switch, in the wires left to the rear or also directly at the tail lamps.
Car lock type	Type2
Car lock open	blue
Car lock close	blue-black
Car lock position	Wiring harness coming from driver's door.

Toyota

Model	Year of construction	Code
Corolla	97->	-

WIRE COLOUR / POSITION

Turn signal left	green-black-grey
Turn signal right	green-yellow-grey
Turn signal position	At the turn signal switch, in the wires left to the rear or also directly at the tail lamps.
Car lock type	Type2
Car lock open	blue-red-grey
Car lock close	blue-white-grey
Car lock position	Wiring harness coming from driver's door.

Toyota

Model

Corolla

Year of construction

92-97

Code

-

WIRE COLOUR / POSITION

Turn signal left

green-yellow

Turn signal right

green-black

Turn signal position

At the turn signal switch, in the wires left to the rear or also directly at the tail lamps.

Car lock type

Type2

Car lock open

blue-yellow or blue-red

Car lock close

blue-white

Car lock position

Wiring harness coming from driver's door.

Toyota

Model	Year of construction	Code
Land Cruiser	97->	-

WIRE COLOUR / POSITION

Turn signal left	green-yellow
Turn signal right	green-black
Turn signal position	At the turn signal switch, in the wires left to the rear or also directly at the tail lamps.
Car lock type	Type2
Car lock open	blue-yellow
Car lock close	blue-white
Car lock position	Wiring harness coming from driver's door.

Toyota

Model

MR2

Year of construction

93->

Code

-

WIRE COLOUR / POSITION

Turn signal left

green-black-grey

Turn signal right

green-yellow-grey

Turn signal position

At the turn signal switch, in the wires left to the rear or also directly at the tail lamps.

Car lock type

Type2

Car lock open

black-yellow-grey

Car lock close

black-grey

Car lock position

Wiring harness coming from driver's door.

Toyota

Model

MR2

Year of construction

96->

Code

-

WIRE COLOUR / POSITION

Turn signal left

green-yellow

Turn signal right

green-black

Turn signal position

At the turn signal switch, in the wires left to the rear or also directly at the tail lamps.

Car lock type

Type2

Car lock open

green-black

Car lock close

red-black

Car lock position

Wiring harness coming from driver's door.

Toyota

Model

Paseo

Year of construction

96->

Code

-

WIRE COLOUR / POSITION

Turn signal left

green-yellow

Turn signal right

green-black

Turn signal position

At the turn signal switch, in the wires left to the rear or also directly at the tail lamps.

Car lock type

Type2

Car lock open

green-yellow

Car lock close

red-yellow

Car lock position

Wiring harness coming from driver's door.

Toyota

Model	Year of construction	Code
Pic Nic	97->	-

WIRE COLOUR / POSITION

Turn signal left	green-black
Turn signal right	green-yellow
Turn signal position	At the turn signal switch, in the wires left to the rear or also directly at the tail lamps.
Car lock type	Type2
Car lock open	blue-yellow
Car lock close	green-orange
Car lock position	Wiring harness coming from driver's door.

Toyota

Model	Year of construction	Code
Previa	93->	-

WIRE COLOUR / POSITION

Turn signal left	green-black or green-yellow
Turn signal right	green-yellow or green-black
Turn signal position	At the turn signal switch, in the wires left to the rear or also directly at the tail lamps.
Car lock type	Type2
Car lock open	blue-red
Car lock close	blue-orange or blue-pink
Car lock position	Wiring harness coming from driver's door.

Toyota

Model	Year of construction	Code
Previa	93-96	-

WIRE COLOUR / POSITION

Turn signal left	green-black
Turn signal right	green-yellow
Turn signal position	At the turn signal switch, in the wires left to the rear or also directly at the tail lamps.
Car lock type	Type2
Car lock open	blue-red
Car lock close	blue-orange or blue-pink
Car lock position	Wiring harness coming from driver's door.

Toyota

Model	Year of construction	Code
Rav 4	96->	-

WIRE COLOUR / POSITION

Turn signal left	green-yellow
Turn signal right	green-black
Turn signal position	At the turn signal switch, in the wires left to the rear or also directly at the tail lamps.
Car lock type	Type2
Car lock open	blue-yellow
Car lock close	blue-white
Car lock position	Wiring harness coming from driver's door.