

RCA 101

Car Alarm &
Radio Remote Control
with turn signal triggering

Mounting Instructions

VW



■ Warranty

No responsibility is taken for the correctness of the information contained herein. No liability is assumed for errors or misprints.

Due to the high quality of our product, we grant you a 2-year warranty. The function and durability of the central lock control unit depends to a large degree on appropriate mounting. Understandably, we cannot grant any warranty for defects ascribable to wrong or erroneous mounting. In particular, these include charred or burnt components.

Reconsignment of seemingly defective components is categorically at the customer's expense. Trouble shooting is only possible provided that a description of the defect and a copy of the invoice are enclosed. Please note that handling or connecting errors are outside the scope of this warranty. Understandably, we cannot assume liability for defects thus caused.

We grant a 2-year warranty from date of purchase on all components. Warranty includes free of charge trouble shooting of those defects verifiably ascribable to the use of faulty material or to manufacturing errors. All other claims are exempt from liability.

No responsibility or liability is taken for damages or consequential loss relating to this product. Repairation, amendments, supply of spare parts and refunding of purchase price are reserved.

Warranty expires if:

- 1) the device has been altered or if attempts at repairing the device have been made.
- 2) the device has been surcharged.
- 3) damages have come about due to the ignoring of mounting instructions.
- 4) the device has been connected to inadequate current or voltage.
- 5) the appropriate polarity of the device has not been observed.
- 6) the device has been damaged due to maloperation.
- 7) the device has been damaged due to negligent handling.
- 8) the device has been damaged due to by-passed or wrong fuses.

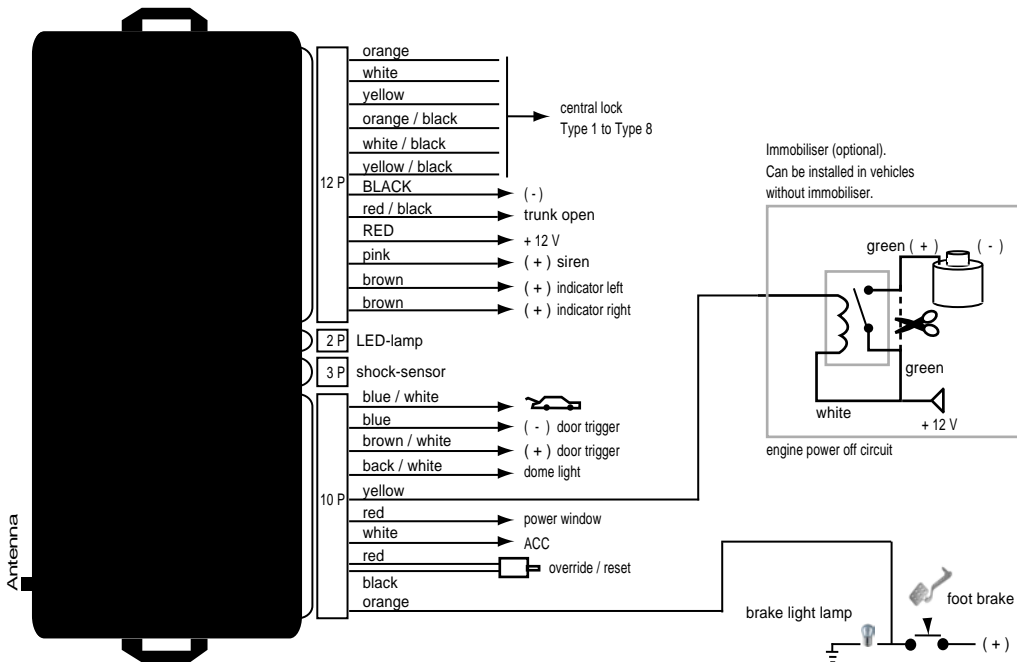
Key alteration:

The blank keys that are screwed into the handheld transmitters only serve as samples (models). You have to have your own car key modified according to this model and screw it onto the transmitter. You may decide for yourself whether you want to use your original car key or have a copy cut in order to have it modified.

Immobilizer:

The immobilizer transponder chip has to be stuck into the handheld transmitter (above the LED).

Receiver



■ Type 1



| ||| GROUND

■ Type 2



||| GROUND

■ not required, please insulate

■ Type 3



■ not required, please insulate

■ Type 4



■ Type 5: (Pin)



■ not required, please insulate

■ Type 6: (with resistance)



||| GROUND

■ not required, please insulate

■ Type 7



||| GROUND

■ not required, please insulate

■ Type 8: (actuator)



||| GROUND

VW

Model

Beetle

Year of construction

98->

Code

-

WIRE COLOUR / POSITION

Turn signal left

black-white

Turn signal right

black-green

Turn signal position

At the turn signal switch, in the wires left to the rear or also directly at the tail lamps.

Car lock type

Type3

Car lock open

white-green

Car lock close

yellow-black

Car lock position

In the driver's door (for open a double impulse will needed).

VW

Model	Year of construction	Code
Beetle - with electric window lift	97->	-

WIRE COLOUR / POSITION

Turn signal left	black-white
Turn signal right	black-green
Turn signal position	At the turn signal switch, in the wires left to the rear or also directly at the tail lamps.
Car lock type	Type2
Car lock open	pin 24 , at 29-pin plug
Car lock close	pin 4 , at 29-pin plug
Car lock position	29-pin plug in the driver's door.

VW

Model	Year of construction	Code
Bora - with electric window lift	97->	-

WIRE COLOUR / POSITION

Turn signal left	black-white
Turn signal right	black-green
Turn signal position	At the turn signal switch, in the wires left to the rear or also directly at the tail lamps.
Car lock type	Type2
Car lock open	pin 24 , at 29-pin plug
Car lock close	pin 4 , at 29-pin plug
Car lock position	29-pin plug in the driver's door.

VW

Model

Corrado

Year of construction

90->

Code

-

WIRE COLOUR / POSITION

Turn signal left

black-white

Turn signal right

black-green

Turn signal position

At the turn signal switch, in the wires left to the rear or also directly at the tail lamps.

Car lock type

Type3

Car lock open

red-black

Car lock close

red-yellow

Car lock position

Wiring harness coming from driver's door.

VW

Model	Year of construction	Code
Golf 2 / Polo 2	86-91	-

WIRE COLOUR / POSITION

Turn signal left	black-white
Turn signal right	black-green
Turn signal position	At the turn signal switch, in the wires left to the rear or also directly at the tail lamps.
Car lock type	Type8
Car lock open	-
Car lock close	-
Car lock position	Actuator must be installed in the driver's door.

VW

Model

Golf 3 / Cabrio

Year of construction

91->

Code

1HXO

WIRE COLOUR / POSITION

Turn signal left

black-white

Turn signal right

black-green

Turn signal position

At the turn signal switch, in the wires left to the rear or also directly at the tail lamps.

Car lock type

Type3

Car lock open

green

Car lock close

grey

Car lock position

Central lock pump in the trunk (right).

VW

Model

Golf IV

Year of construction

97->

Code

-

WIRE COLOUR / POSITION

Turn signal left

black-white

Turn signal right

black-green

Turn signal position

At the turn signal switch, in the wires left to the rear or also directly at the tail lamps.

Car lock type

Type2

Car lock open

yellow-blue

Car lock close

green-red

Car lock position

Wiring harness coming from driver's door.

VW

Model	Year of construction	Code
Golf IV - with electric window lift	97->	-

WIRE COLOUR / POSITION

Turn signal left	black-white
Turn signal right	black-green
Turn signal position	At the turn signal switch, in the wires left to the rear or also directly at the tail lamps.
Car lock type	Type2
Car lock open	pin 24 , at 29-pin plug
Car lock close	pin 4 , at 29-pin plug
Car lock position	29-pin plug in the driver's door.

VW

Model

Jetta / Scirocco

Year of construction

86-91

Code

19E

WIRE COLOUR / POSITION

Turn signal left

black-white

Turn signal right

black-green

Turn signal position

At the turn signal switch, in the wires left to the rear or also directly at the tail lamps.

Car lock type

Type8

Car lock open

-

Car lock close

-

Car lock position

Actuator must be installed in the driver's door.

VW

Model

LT

Year of construction

95->

Code

-

WIRE COLOUR / POSITION

Turn signal left

black-white

Turn signal right

black-green

Turn signal position

At the turn signal switch, in the wires left to the rear or also directly at the tail lamps.

Car lock type

Type4

Car lock open

white-red

Car lock close

red-blue

Car lock position

Wiring harness coming from driver's door.

VW

Model

Lupo

Year of construction

98->

Code

-

WIRE COLOUR / POSITION

Turn signal left

black-white

Turn signal right

black-green

Turn signal position

At the turn signal switch, in the wires left to the rear or also directly at the tail lamps.

Car lock type

Type2

Car lock open

blue-purple

Car lock close

grey-yellow

Car lock position

Wiring harness coming from driver's door.

VW

Model

Passat

Year of construction

88-92

Code

35i

WIRE COLOUR / POSITION

Turn signal left

black-white

Turn signal right

black-green

Turn signal position

At the turn signal switch, in the wires left to the rear or also directly at the tail lamps.

Car lock type

Type3

Car lock open

black-white

Car lock close

red-yellow

Car lock position

Wiring harness coming from driver's door.

VW

Model

Passat

Year of construction

93-96

Code

35i

WIRE COLOUR / POSITION

Turn signal left

black-white

Turn signal right

black-green

Turn signal position

At the turn signal switch, in the wires left to the rear or also directly at the tail lamps.

Car lock type

Type3

Car lock open

green

Car lock close

grey

Car lock position

Central lock pump in the trunk (right).

VW

Model

Passat

Year of construction

96->

Code

3b

WIRE COLOUR / POSITION

Turn signal left

black-white

Turn signal right

black-green

Turn signal position

At the turn signal switch, in the wires left to the rear or also directly at the tail lamps.

Car lock type

Type2

Car lock open

red-blue

Car lock close

red-green

Car lock position

Directly in the driver's door.

VW

Model

Polo

Year of construction

02->

Code

9N

WIRE COLOUR / POSITION

Turn signal left

black-white

Turn signal right

black-green

Turn signal position

At the turn signal switch, in the wires left to the rear or also directly at the tail lamps.

Car lock type

Type6

Car lock open

white-blue

Car lock close

white-blue

Car lock position

Directly in the driver's door.

VW

Model

Polo 3

Year of construction

90-94

Code

86C

WIRE COLOUR / POSITION

Turn signal left

black-white

Turn signal right

black-green

Turn signal position

At the turn signal switch, in the wires left to the rear or also directly at the tail lamps.

Car lock type

Type8

Car lock open

-

Car lock close

-

Car lock position

Actuator in the driver's door.

VW

Model

Polo 3 / Polo 4

Year of construction

95->

Code

-

WIRE COLOUR / POSITION

Turn signal left

black-white

Turn signal right

black-green

Turn signal position

At the turn signal switch, in the wires left to the rear or also directly at the tail lamps.

Car lock type

Type3

Car lock open

grey-black

Car lock close

grey-red

Car lock position

Wiring harness coming from driver's door.

VW

Model

Polo Variant

Year of construction

98->

Code

6KV

WIRE COLOUR / POSITION

Turn signal left

black-white

Turn signal right

black-green

Turn signal position

At the turn signal switch, in the wires left to the rear or also directly at the tail lamps.

Car lock type

Type3

Car lock open

red-green

Car lock close

red-blue

Car lock position

Wiring harness coming from driver's door.

VW

Model

PoloDi

Year of construction

98->

Code

6KV

WIRE COLOUR / POSITION

Turn signal left

black-green

Turn signal right

black-white

Turn signal position

At the turn signal switch, in the wires left to the rear or also directly at the tail lamps.

Car lock type

Type3

Car lock open

grey-black

Car lock close

grey-red

Car lock position

Wiring harness coming from driver's door.

VW

Model

Sharan

Year of construction

95-03

Code

7M

WIRE COLOUR / POSITION

Turn signal left

black-white or white-blue

Turn signal right

black-green or green-white

Turn signal position

At the turn signal switch, in the wires left to the rear or also directly at the tail lamps.

Car lock type

Type3

Car lock open

pink-green or green-red

Car lock close

pink-yellow or grey-red

Car lock position

Wiring harness coming from driver's door.

VW

Model

T4

Year of construction

92->

Code

70XOBL

WIRE COLOUR / POSITION

Turn signal left

black-white

Turn signal right

black-green

Turn signal position

At the turn signal switch, in the wires left to the rear or also directly at the tail lamps.

Car lock type

Type3

Car lock open

white

Car lock close

yellow

Car lock position

Wiring harness coming from driver's door.

VW

Model

Vento

Year of construction

91-96

Code

1XHO

WIRE COLOUR / POSITION

Turn signal left

black-white

Turn signal right

black-green

Turn signal position

At the turn signal switch, in the wires left to the rear or also directly at the tail lamps.

Car lock type

Type3

Car lock open

green

Car lock close

grey

Car lock position

Wiring harness coming from driver's door.